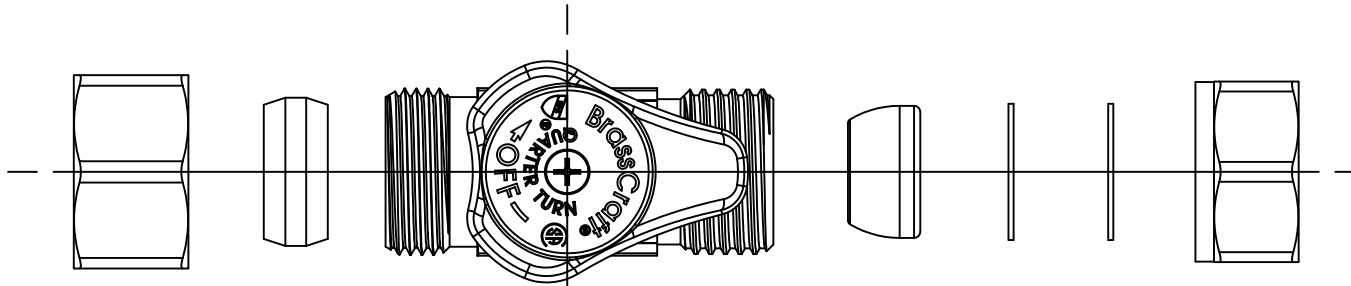
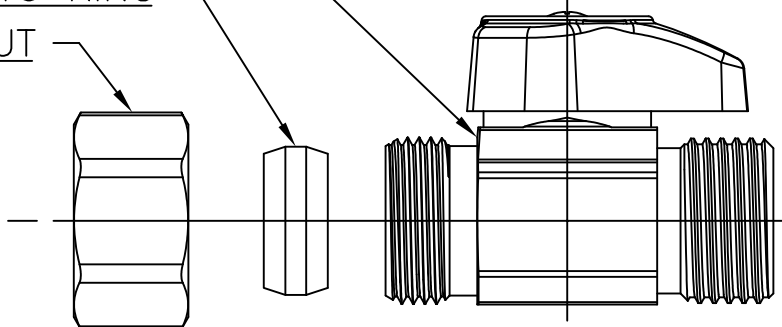


LET.	DATE	PER	BY	CHANGE
A	9/19/05	JPS	JPS	RELEASE



G23345 VALVE ASS'Y
 60-10 RING
 61-10 NUT



APPROX.
 2.24
 ASSEMBLED

03-C CONE WASHER
 002C RING
 003C RING
 SJ300 CB NUT



NOVI, MICHIGAN	
ALL GDT PER ANSI STD Y14.5M CLASSIFICATION OF QUALITY LEVELS	
CLASS	SYMBOL
KPC (KEY PRODUCT CHARACTERISTICS)	◇
STPC (STANDARD PRODUCT CHARACTERISTICS)	△
PRODUCT MARKINGS	○

DESCRIPTION 1/2 NOM COMP X 1/2 & 7/16 RUBBER SLIP QUARTER TURN STRT STOP (SUBMITTAL)		DRAWING NO. VPA1034A	
DRAWN SCHUTTE	DATE: 09/19/2005	MATERIAL	ITEM DESCRIPTION G23345
CHK'D. Pernak	DATE: 09/21/2005	VOLUME	ITEM ID G23345 C
APP'D.	DATE:	NOTE: UNLESS OTHERWISE SPECIFIED TWO PLACE DECIMALS +/- .010 THREE PLACE DECIMALS +/- .005 ANGULARITY +/- 0° 30'	UNITS INCH

SCALE: (UNLESS NOTED) FULL	REV. A
----------------------------------	-----------

This drawing and all data contained herein is the confidential and exclusive property of BrassCraft Manufacturing, and shall not be disclosed to others without the written consent of BrassCraft. This drawing must be returned to BrassCraft if requested.