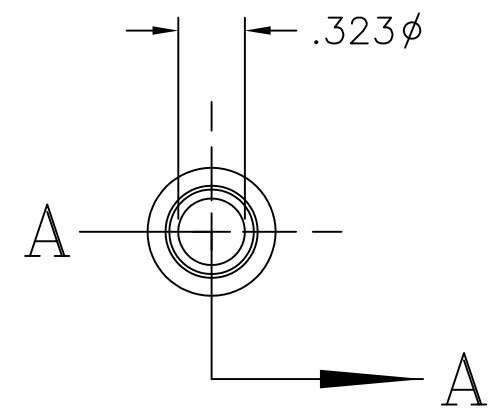
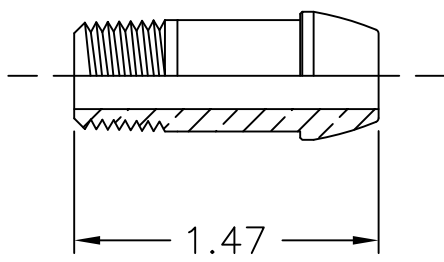


LET.	DATE	PER	BY	CHANGE
A	6/3/04	WFT	MJP	RELEASE



SECTION A-A



NOVI, MICHIGAN

ALL GDT PER ANSI STD Y14.5M
CLASSIFICATION OF QUALITY LEVELS

CLASS	SYMBOL
KPC (KEY PRODUCT CHARACTERISTICS)	◇
STPC (STANDARD PRODUCT CHARACTERISTICS)	△
PRODUCT MARKINGS	○

DESCRIPTION
1/4 MIP SHORT TAILPIECE
(SUBMITTAL)

DRAWN: PERNAK DATE: 06/03/2004

CHK'D: Klimkie DATE: 06/03/2004

APP'D. DATE:

NOTE: UNLESS OTHERWISE SPECIFIED
TWO PLACE DECIMALS +/- .010
THREE PLACE DECIMALS +/- .005
ANGULARITY +/- 1°

DRAWING NO.
VPG0760A

ITEM DESCRIPTION
56825

ITEM ID
56825 C

This drawing and all data contained herein is the confidential and exclusive property of BrassCraft Manufacturing, and shall not be disclosed to others without the written consent of BrassCraft. This drawing must be returned to BrassCraft if requested.

A
SIZE

UNITS
INCH

SCALE:
(UNLESS NOTED)
FULL

REV.
A