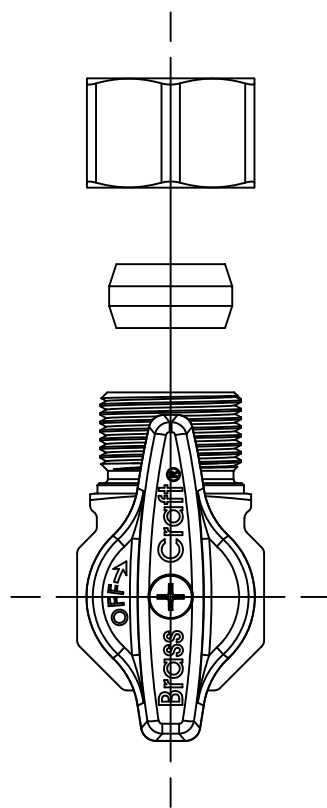
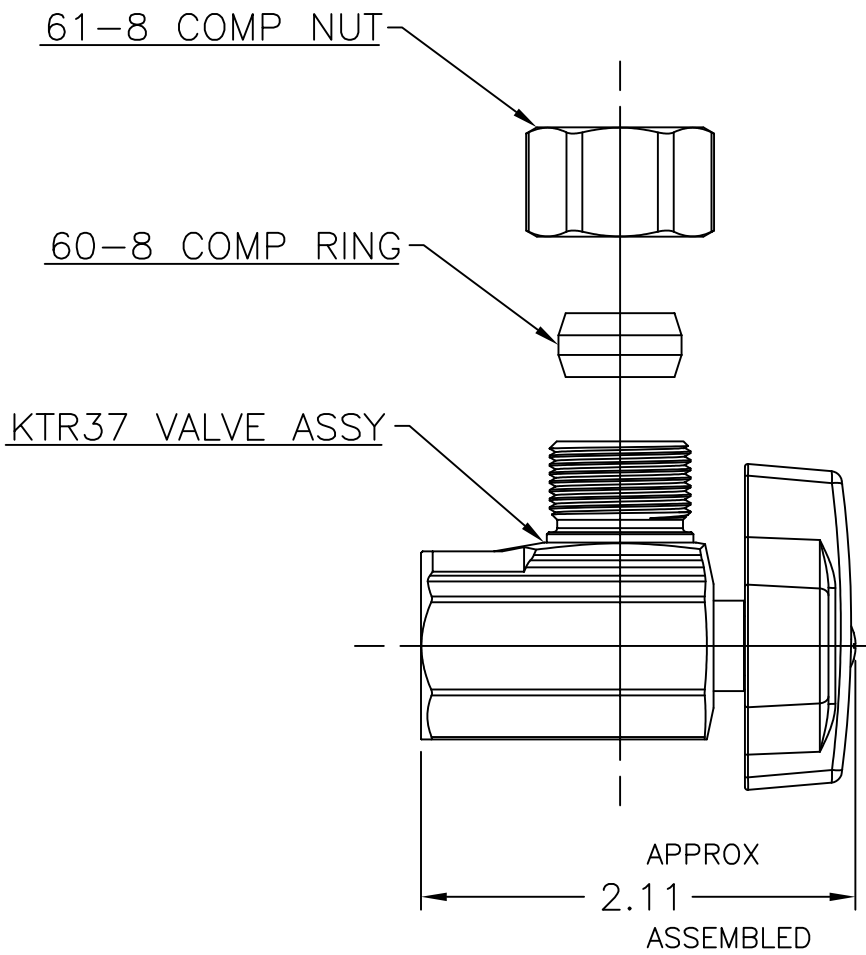


LET.	DATE	PER	BY	CHANGE
A	11/3/04	KAK	MJP	RELEASE



NOVI, MICHIGAN	
ALL GDT PER ANSI STD Y14.5M CLASSIFICATION OF QUALITY LEVELS	
CLASS	SYMBOL
KPC (KEY PRODUCT CHARACTERISTICS)	◇
STPC (STANDARD PRODUCT CHARACTERISTICS)	△
PRODUCT MARKINGS	○

DESCRIPTION 1/2 FIP X 1/2 OD COMP 1/4 TURN BALL VALVE (SUBMITTAL)		DRAWING NO. VPA0994A								
DRAWN PERNAK	DATE: 11/3/2004	MATERIAL	ITEM DESCRIPTION KTR37							
CHK'D. Schutte	DATE: 11/03/2004									
APP'D.	DATE:	VOLUME	ITEM ID KTR37 C							
NOTE: UNLESS OTHERWISE SPECIFIED TWO PLACE DECIMALS THREE PLACE DECIMALS ANGULARITY		<table border="1"> <tr> <td>SIZE</td> <td>UNITS</td> <td>SCALE: (UNLESS NOTED)</td> <td>REV.</td> </tr> <tr> <td>A</td> <td>INCH</td> <td>FULL</td> <td>A</td> </tr> </table>	SIZE	UNITS	SCALE: (UNLESS NOTED)	REV.	A	INCH	FULL	A
SIZE	UNITS	SCALE: (UNLESS NOTED)	REV.							
A	INCH	FULL	A							

This drawing and all data contained herein is the confidential and exclusive property of BrassCraft Manufacturing, and shall not be disclosed to others without the written consent of BrassCraft. This drawing must be returned to BrassCraft if requested.