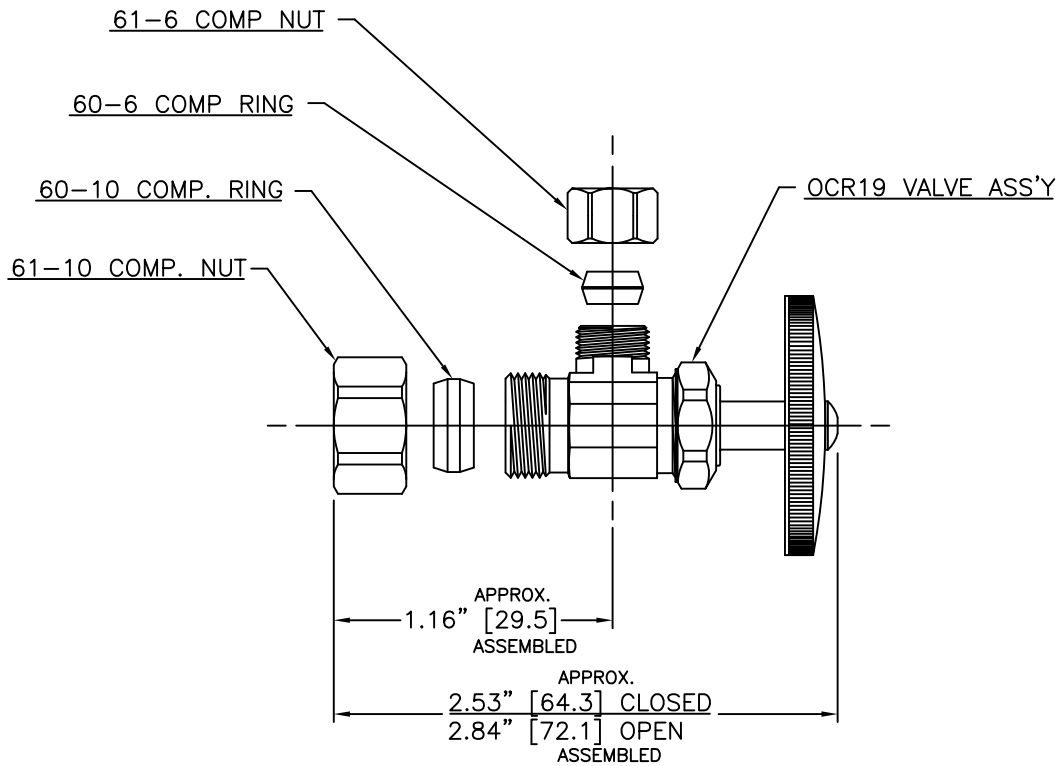


LET.	DATE	PER	BY	CHANGE
E	3/14/03	WFT	MJP	REVISED & UPDATED








ITEM I.D.	
ROUGH	CHROME
OCR19 R	OCR19 C
OCR19Z R	OCR19Z C

NOTE:

- DESIGNED AND MANUFACTURED IN ACCORDANCE WITH ANSI A112.18.1M
- DIMENSIONS IN [] ARE MILLIMETER

This drawing and all data contained herein is the confidential and exclusive property of BrassCraft Manufacturing, and shall not be disclosed to others without the written consent of BrassCraft. This drawing must be returned to BrassCraft if requested.

 A Masco Company NOVI, MICHIGAN		DESCRIPTION		DRAWING NO.		
		1/2 NOM COMP X 3/8 OD COMP VALVE (SUBMITTAL)		VPA0462E		
CLASS	SYMBOL	DRAWN	DATE:	MATERIAL	ITEM DESCRIPTION	
KPC (KEY PRODUCT CHARACTERISTICS) 		PERNAK	3/14/2003		OCR19	
STPC (STANDARD PRODUCT CHARACTERISTICS) 		CHK'D.	DATE:	VOLUME	ITEM ID	
PRODUCT MARKINGS 		Klimkie	05/02/2003		OCR19 C	
		APP'D.	DATE:		SEE CHART	
		NOTE: UNLESS OTHERWISE SPECIFIED		 UNITS INCH	SCALE: (UNLESS NOTED) FULL	REV. E
		TWO PLACE DECIMALS				
		THREE PLACE DECIMALS				
		ANGULARITY				