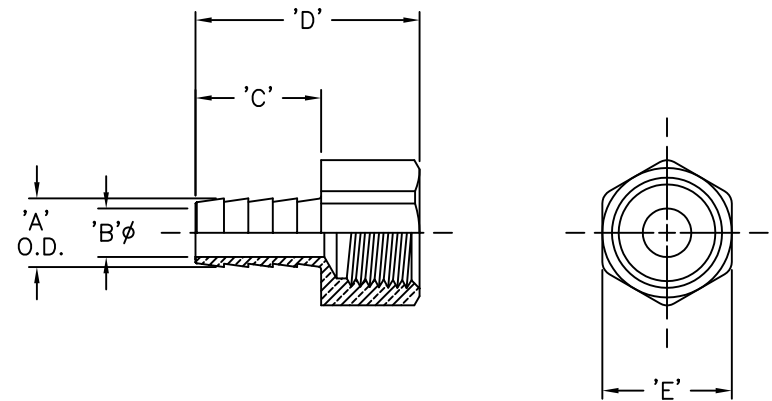






LET.	DATE	PER	BY	CHANGE
A	03/04/05	JPS	KAK	RELEASE

ITEM I.D. (BRASS)	HOSE SIZE	PIPE THREAD	DIM 'A'	DIM 'B'	DIM 'C'	DIM 'D'	DIM 'E'
126-2-2	1/8	1/8	.187	.090	.46	.96	1/2
126-3-2	3/16	1/8	.227	.125	.69	1.19	1/2
126-4-2	1/4	1/8	.290	.187	.97	1.47	1/2
126-4-4	1/4	1/4	.290	.187	.97	1.58	11/16
126-4-6	1/4	3/8	.290	.187	.75	1.38	3/4
126-5-2	5/16	1/8	.375	.215	.90	1.42	1/2
126-5-4	5/16	1/4	.353	.250	.97	1.58	11/16
126-6-2	3/8	1/8	.415	.281	.97	1.47	1/2
126-6-4	3/8	1/4	.415	.281	.97	1.58	11/16
126-6-6	3/8	3/8	.415	.281	.97	1.63	13/16
126-6-8	3/8	1/2	.415	.281	.97	1.73	1
126-8-4	1/2	1/4	.530	.375	.97	1.66	5/8
126-8-6	1/2	3/8	.530	.375	.97	1.63	13/16
126-8-8	1/2	1/2	.530	.375	.97	1.73	1
126-12-12	3/4	3/4	.790	.625	1.17	2.19	1-3/16



This drawing and all data contained herein is the confidential and exclusive property of BrassCraft Manufacturing, and shall not be disclosed to others without the written consent of BrassCraft. This drawing must be returned to BrassCraft if requested.

 A Masco Company NOVI, MICHIGAN		DESCRIPTION		DRAWING NO.		
		HOSE BARB X FEMALE PIPE (SUBMITTAL)		HFU0126A		
DRAWN	DATE:	MATERIAL	ITEM DESCRIPTION			
KLIMKIE	03/04/2005		126-2-2			
CHK'D.	DATE:	VOLUME	ITEM ID			
Schutte	03/04/2005		126-2-2			
APP'D.	DATE:		SEE CHART			
ALL GDT PER ANSI STD Y14.5M CLASSIFICATION OF QUALITY LEVELS		NOTE: UNLESS OTHERWISE SPECIFIED TWO PLACE DECIMALS +/- .010 THREE PLACE DECIMALS +/- .005 ANGULARITY +/- 1°	 SIZE	UNITS INCH	SCALE: (UNLESS NOTED) FULL	REV. A
KPC (KEY PRODUCT CHARACTERISTICS) 						
STPC (STANDARD PRODUCT CHARACTERISTICS) 						
PRODUCT MARKINGS 