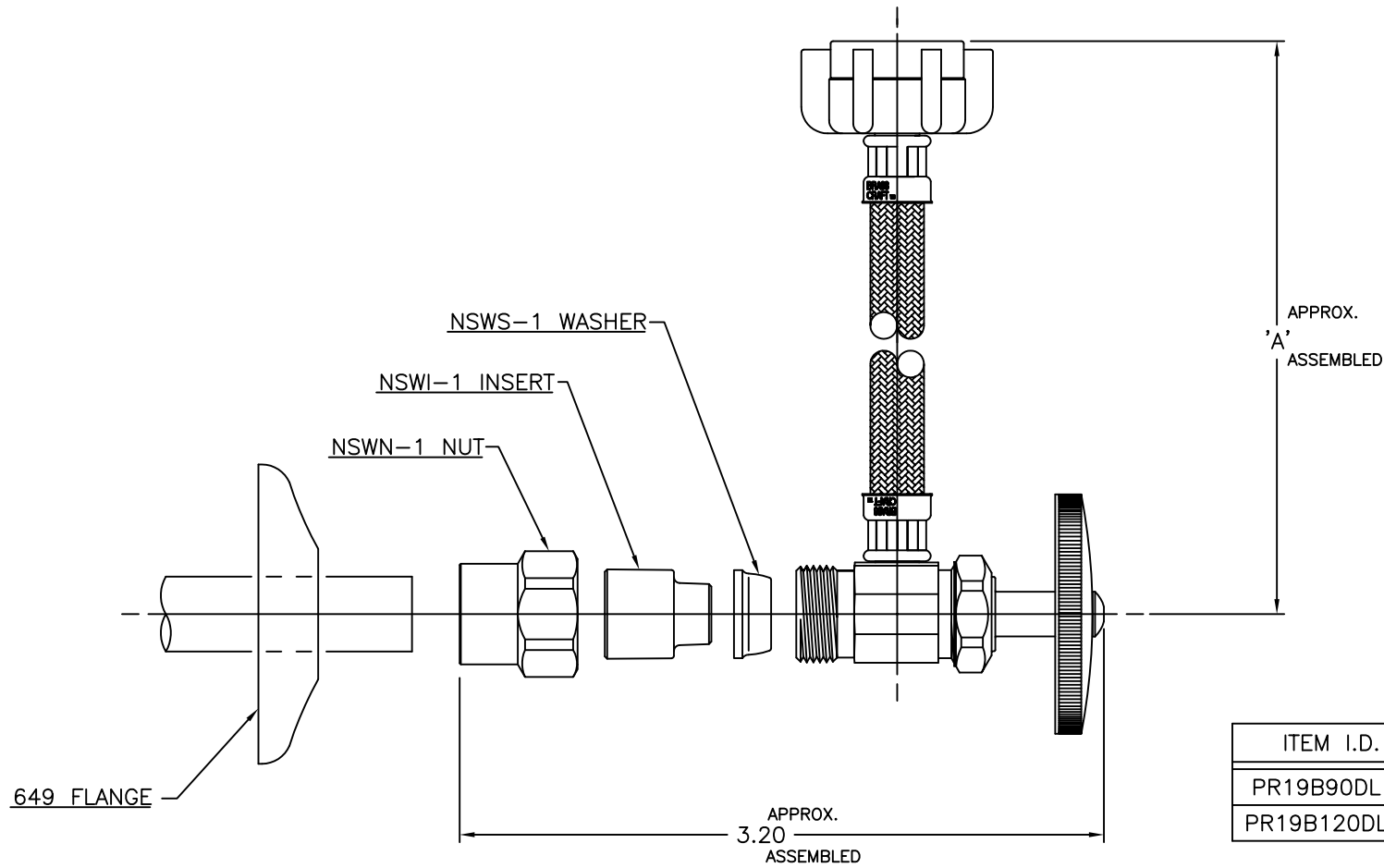


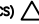




LET.	DATE	PER	BY	CHANGE
A	1/10/06	KAK	MJP	RELEASE



ITEM I.D.	ITEM DESC.	LENGTH 'A'
PR19B90DL C	PR19B90DL	9.50/10.50
PR19B120DL C	PR19B120DL	12.50/13.50

This drawing and all data contained herein is the confidential and exclusive property of BrassCraft Manufacturing, and shall not be disclosed to others without the written consent of BrassCraft. This drawing must be returned to BrassCraft if requested.

 BrassCraft A Masco Company NOVI, MICHIGAN		DESCRIPTION 1/2 NOM CPVC X 7/8 FIP POLYMER BALLCOCK RISER (SUBMITTAL)		DRAWING NO. VPA1045A			
		DRAWN DATE: PERNAK 01/10/2006 CHK'D. DATE: Klimkie 01/10/2006	MATERIAL		ITEM DESCRIPTION PR19B90DL SEE CHART		
ALL GDT PER ANSI STD Y14.5M CLASSIFICATION OF QUALITY LEVELS CLASS SYMBOL		APP'D. DATE:		ITEM ID PR19B90DL C SEE CHART			
KPC (KEY PRODUCT CHARACTERISTICS)  STPC (STANDARD PRODUCT CHARACTERISTICS)  PRODUCT MARKINGS 		NOTE: UNLESS OTHERWISE SPECIFIED TWO PLACE DECIMALS +/- .010 THREE PLACE DECIMALS +/- .005 ANGULARITY +/- 1°		 SIZE	UNITS INCH	SCALE: (UNLESS NOTED) FULL	REV. A