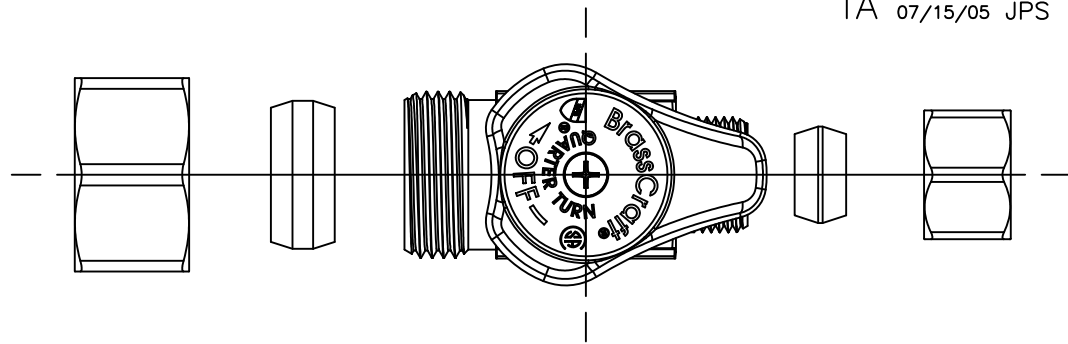
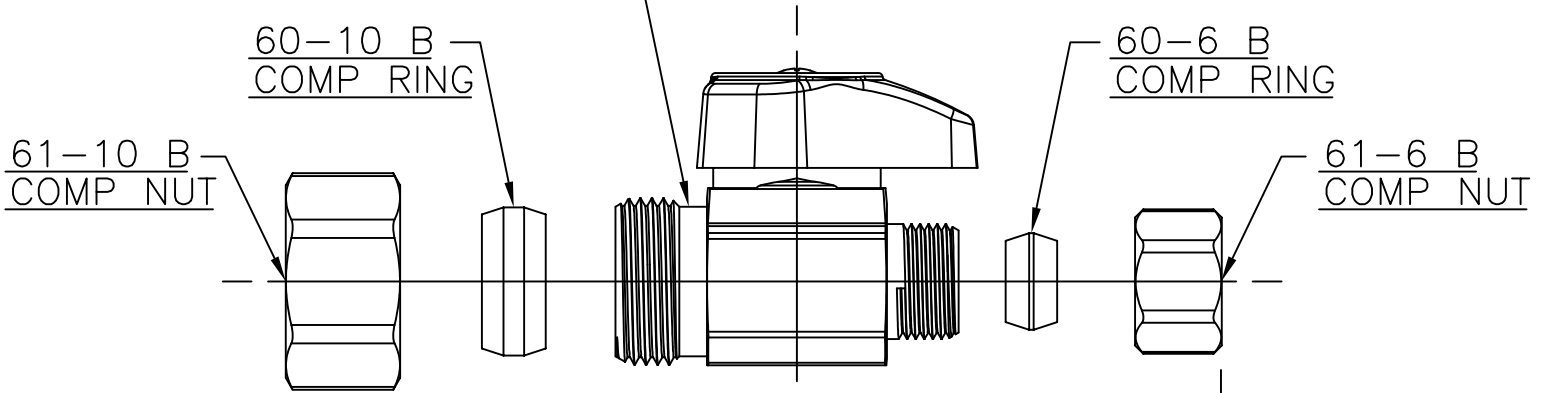


LET.	DATE	PER	BY	CHANGE
A	07/15/05	JPS	KAK	RELEASE



G2CR14 VALVE ASS'Y



APPROX. 2.28 ASSEMBLED

ITEM I.D.	
ROUGH	CHROME
G2CR14 R	G2CR14 C



NOVI, MICHIGAN
 ALL GDT PER ANSI STD Y14.5M
 CLASSIFICATION OF QUALITY LEVELS

CLASS	SYMBOL
KPC (KEY PRODUCT CHARACTERISTICS)	◇
STPC (STANDARD PRODUCT CHARACTERISTICS)	△
PRODUCT MARKINGS	○

DESCRIPTION 1/2 NOM COMP X 3/8 OD COMP QUARTER TURN STRAIGHT STOP (SUBMITTAL)		DRAWING NO. VPA1025A		
DRAWN KLIMKIE	DATE: 07/15/2005	MATERIAL	ITEM DESCRIPTION G2CR14	
CHK'D. Pernak	DATE: 07/18/2005		VOLUME	ITEM ID G2CR14 C SEE CHART
APP'D.	DATE:	UNITS INCH		SCALE: (UNLESS NOTED) FULL
NOTE: UNLESS OTHERWISE SPECIFIED TWO PLACE DECIMALS +/- .010 THREE PLACE DECIMALS +/- .005 ANGULARITY +/- 1°		SIZE A		

This drawing and all data contained herein is the confidential and exclusive property of BrassCraft Manufacturing, and shall not be disclosed to others without the written consent of BrassCraft. This drawing must be returned to BrassCraft if requested.