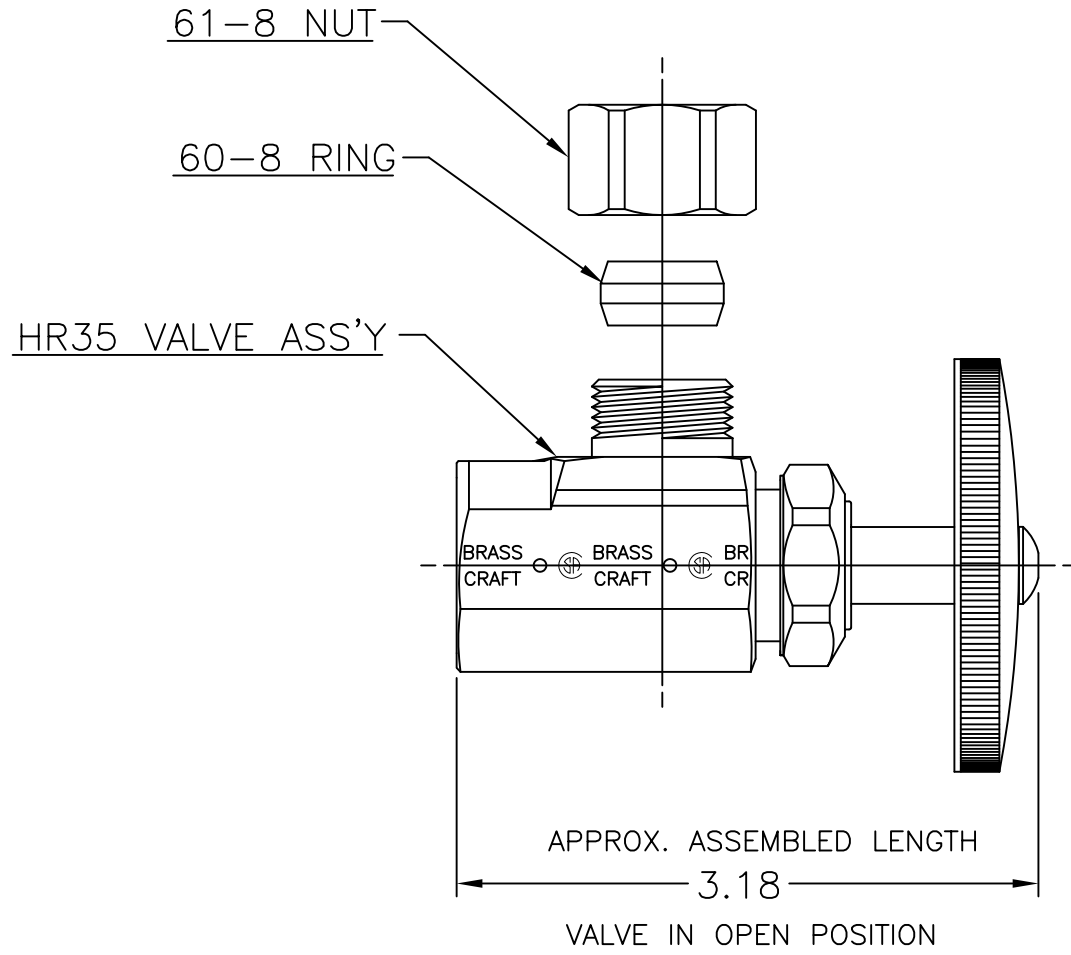



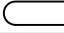


LET.	DATE	PER	BY	CHANGE
B	3/12/03	WFT	MJP	REVISED & UPDATED



 BrassCraft [®] A Masco Company NOVI, MICHIGAN ALL GDT PER ANSI STD Y14.5M CLASSIFICATION OF QUALITY LEVELS	DESCRIPTION		DRAWING NO.	
	3/8 FIP X 1/2 OD COMP HVY PTRN VALVE (SUBMITTAL)		VPA0646B	
	DRAWN: PERNAK DATE: 3/12/2003 CHK'D: Klimkie DATE: 04/11/2003	MATERIAL	ITEM DESCRIPTION	
	APP'D.	DATE:	HR35Z	
CLASS: KPC (KEY PRODUCT CHARACTERISTICS) SYMBOL:  STPC (STANDARD PRODUCT CHARACTERISTICS) SYMBOL:  PRODUCT MARKINGS SYMBOL: 	VOLUME NOTE: UNLESS OTHERWISE SPECIFIED TWO PLACE DECIMALS +/- .010 THREE PLACE DECIMALS +/- .005 ANGULARITY +/- 1°	UNITS: INCH SCALE: FULL REV.: B	ITEM ID: HR35Z C	

This drawing and all data contained herein is the confidential and exclusive property of BrassCraft Manufacturing, and shall not be disclosed to others without the written consent of BrassCraft. This drawing must be returned to BrassCraft if requested.