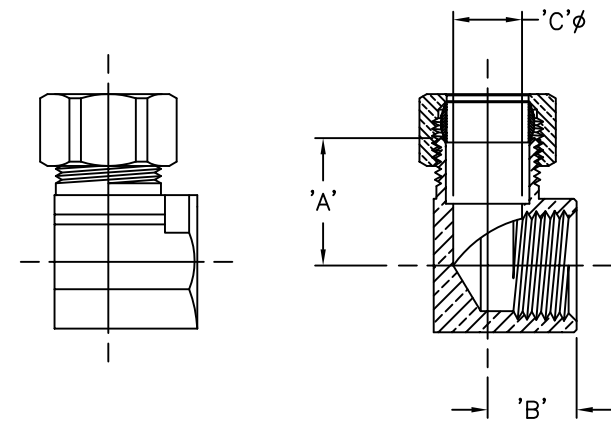


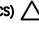




LET.	DATE	PER	BY	CHANGE
B	2/10/05	KAK	MJP	REVISED & UPDATED

ITEM I.D. (BRASS)	ITEM I.D. (CHROME)	TUBE SIZE	PIPE THREAD	STRAIGHT THREAD	DIM 'A'	DIM 'B'	DIM 'C'
70-2-2 B	-	1/8	1/8	5/16-24	.69	.56	.094
70-3-2 B	-	3/16	1/8	3/8-24	.69	.47	.125
70-4-2 B	-	1/4	1/8	7/16-24	.69	.56	.188
70-4-4 B	-	1/4	1/4	7/16-24	.75	.50	.188
70-4-8 B	-	1/4	1/2-14	7/16-24	.89	.656	.187
70-5-2 B	-	5/16	1/8	1/2-24	.72	.84	.250
70-5-4 B	-	5/16	1/4	1/2-24	.78	.59	.250
70-6-2 B	-	3/8	1/8	9/16-24	.75	.84	.310
70-6-4 B	-	3/8	1/4	9/16-24	.84	.59	.310
70-6-6 B	70-6-6 C	3/8	3/8	9/16-24	.77	.47	.323
70-6-8 B	70-6-8 C	3/8	1/2	9/16-24	.82	.634	.323
70-8-4 B	-	1/2	1/4	11/16-20	1.06	.70	.410
70-8-6 B	70-8-6 C	1/2	3/8	11/16-20	.78	.66	.375
70-8-8 B	70-8-8 C	1/2	1/2	11/16-20	.82	.71	.375
70-10-8 B	-	5/8	1/2	13/16-18	.94	.69	.531
70-10-12 B	-	5/8	1/2-14	13/16-18	1.219	.766	.500



This drawing and all data contained herein is the confidential and exclusive property of BrassCraft Manufacturing, and shall not be disclosed to others without the written consent of BrassCraft. This drawing must be returned to BrassCraft if requested.

 BrassCraft A Masco Company NOVI, MICHIGAN ALL GDT PER ANSI STD Y14.5M CLASSIFICATION OF QUALITY LEVELS CLASS SYMBOL KPC (KEY PRODUCT CHARACTERISTICS)  STPC (STANDARD PRODUCT CHARACTERISTICS)  PRODUCT MARKINGS 	DESCRIPTION COMPRESSION X FIP ELBOW (SUBMITTAL)		DRAWING NO. CFE0203B		
	DRAWN PERNAK 01/26/2005	DATE: 01/26/2005	MATERIAL	ITEM DESCRIPTION 70-2-2	
	CHK'D. Klimkie 02/10/2005	DATE: 02/10/2005	VOLUME	ITEM ID 70-2-2 B SEE CHART	
	APP'D. DATE:		NOTE: UNLESS OTHERWISE SPECIFIED TWO PLACE DECIMALS +/- .010 THREE PLACE DECIMALS +/- .005 ANGULARITY +/- 1°		
UNITS INCH		 SIZE	SCALE: (UNLESS NOTED) FULL	REV. B	