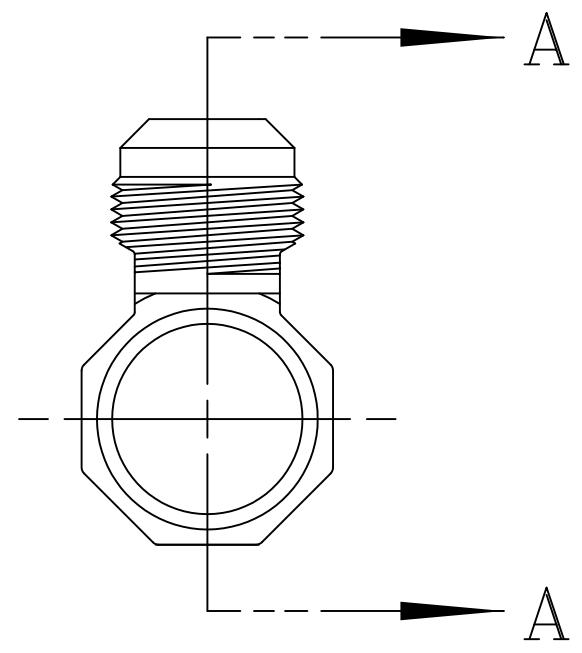
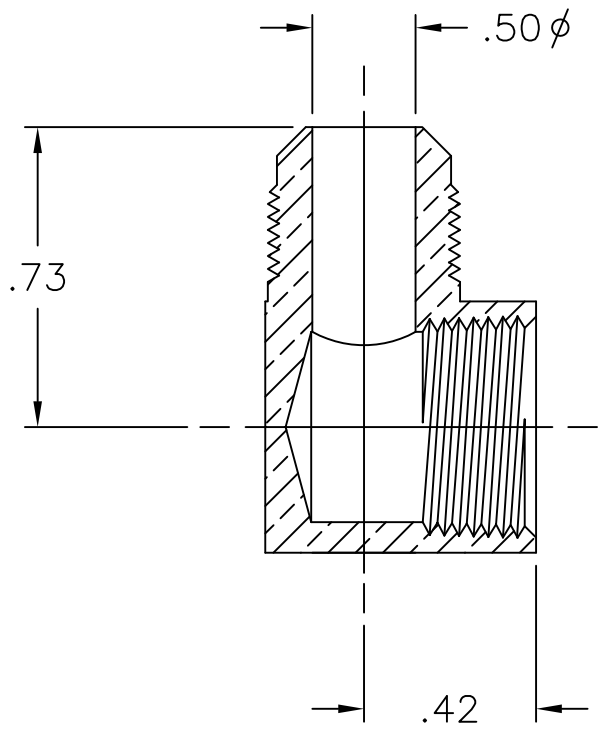


LET.	DATE	PER	BY	CHANGE
A	2/10/05	KAK	MJP	RELEASE



SECTION A-A



NOVI, MICHIGAN	
ALL GDT PER ANSI STD Y14.5M CLASSIFICATION OF QUALITY LEVELS	
CLASS	SYMBOL
KPC (KEY PRODUCT CHARACTERISTICS)	◇
STPC (STANDARD PRODUCT CHARACTERISTICS)	△
PRODUCT MARKINGS	○

DESCRIPTION
5/8 OD FLARE X 3/4 FIP ELBOW
(SUBMITTAL)

DRAWN	DATE:	MATERIAL
PERNAK	02/10/2005	
CHK'D.	DATE:	VOLUME
Klimkie	02/10/2005	
APP'D.	DATE:	

DRAWING NO.
GPE0296A

ITEM DESCRIPTION
MAE1-10-12

ITEM ID
MAE1-10-12

This drawing and all data contained herein is the confidential and exclusive property of BrassCraft Manufacturing, and shall not be disclosed to others without the written consent of BrassCraft. This drawing must be returned to BrassCraft if requested.

NOTE: UNLESS OTHERWISE SPECIFIED
TWO PLACE DECIMALS +/- .010
THREE PLACE DECIMALS +/- .005
ANGULARITY +/- 1°

A SIZE	UNITS	SCALE: (UNLESS NOTED)	REV.
	INCH	FULL	A