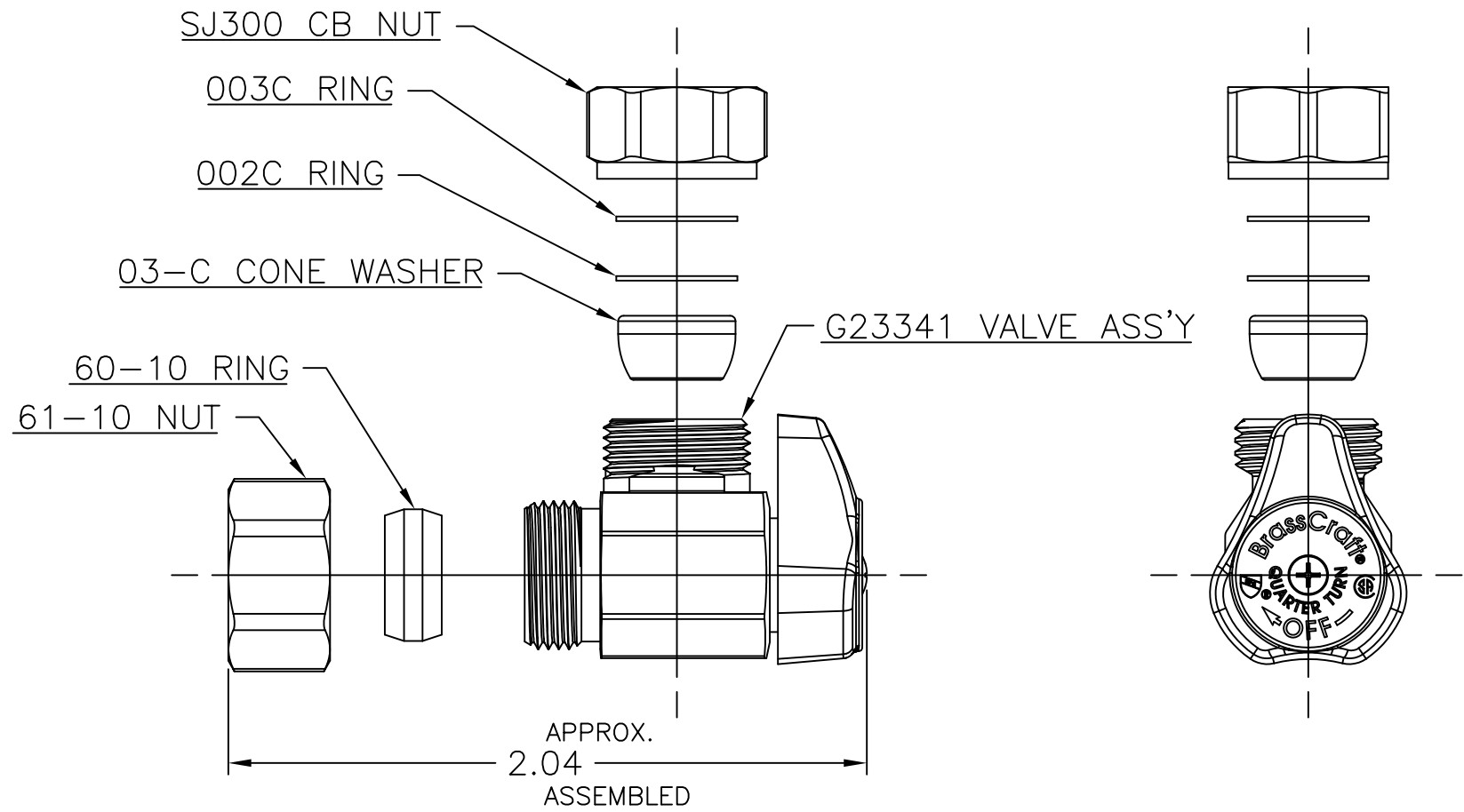


LET.	DATE	PER	BY	CHANGE
A	9/19/05	JPS	JPS	RELEASE



DESCRIPTION 1/2 NOM COMP X 7/16 & 1/2 RUBBER SLIP QUARTER TURN ANGLE STOP (SUBMITTAL)		DRAWING NO. VPA1033A	
DRAWN SCHUTTE 09/19/2005	DATE: 09/19/2005	MATERIAL	ITEM DESCRIPTION G23341
CHK'D. Pernak 09/21/2005	DATE: 09/21/2005	VOLUME	ITEM ID G23341 C
APP'D.	DATE:	NOTE: UNLESS OTHERWISE SPECIFIED TWO PLACE DECIMALS +/- .010 THREE PLACE DECIMALS +/- .005 ANGULARITY +/- 0° 30'	SCALE: (UNLESS NOTED) FULL
CLASS SYMBOL KPC (KEY PRODUCT CHARACTERISTICS) STPC (STANDARD PRODUCT CHARACTERISTICS) PRODUCT MARKINGS		UNITS INCH	REV. A

This drawing and all data contained herein is the confidential and exclusive property of BrassCraft Manufacturing, and shall not be disclosed to others without the written consent of BrassCraft. This drawing must be returned to BrassCraft if requested.