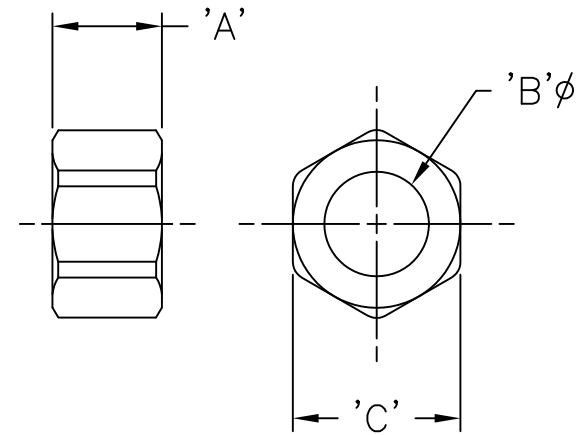


LET.	DATE	PER	BY	CHANGE
B	1/21/05	KAK	MJP	REVISED & UPDATED

ITEM I.D. (BRASS)	ITEM I.D. (CHROME)	TUBE SIZE	STRAIGHT THREAD	DIM 'A'	DIM 'B'	DIM 'C'
61-2 B	-	1/8	5/16-24	.38	.130	3/8
61-3 B	-	3/16	3/8-24	.41	.192	7/16
61-4 B	61-4 C	1/4	7/16-24	.40	.255	1/2
61-5 B	-	5/16	1/2-24	.44	.318	9/16
61-6 B	61-6 C	3/8	9/16-24	.42	.382	5/8
61-7 B	61-7 C	7/16	5/8-24	.44	.444	11/16
61-8 B	61-8 C	1/2	11/16-20	.53	.507	13/16
61-10 B	61-10 C	5/8	13/16-18	.56	.632	15/16
61-12 B	-	3/4	1-18	.69	.760	1-1/8
61-14 B	-	7/8	1 1/8-18	.63	.886	1-1/4



DESCRIPTION COMPRESSION NUTS (SUBMITTAL)		DRAWING NO. CFN0224B	
DRAWN KLIMKIE	DATE: 09/27/2004	MATERIAL	ITEM DESCRIPTION 61-2
CHK'D. KAK	DATE: 01/25/2005	VOLUME	ITEM ID 61-2 B SEE CHART
APP'D.	DATE:	NOTE: UNLESS OTHERWISE SPECIFIED TWO PLACE DECIMALS +/- .010 THREE PLACE DECIMALS +/- .005 ANGULARITY +/- 1°	UNITS INCH
CLASS SYMBOL		SCALE: (UNLESS NOTED) FULL	REV. B
KPC (KEY PRODUCT CHARACTERISTICS)			
STPC (STANDARD PRODUCT CHARACTERISTICS)			
PRODUCT MARKINGS			

This drawing and all data contained herein is the confidential and exclusive property of BrassCraft Manufacturing, and shall not be disclosed to others without the written consent of BrassCraft. This drawing must be returned to BrassCraft if requested.