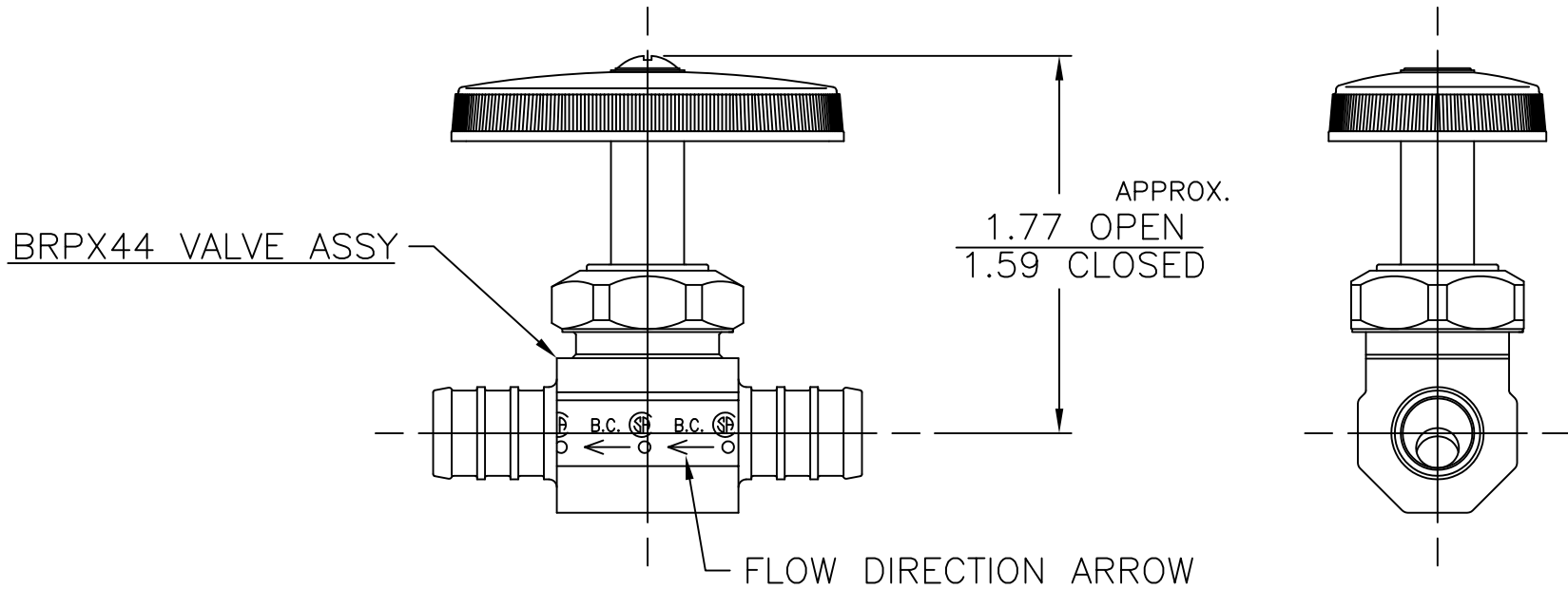



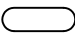



LET.	DATE	PER	BY	CHANGE
A	12/20/06	WFT	JPS	RELEASE



This drawing and all data contained herein is the confidential and exclusive property of BrassCraft Manufacturing, and shall not be disclosed to others without the written consent of BrassCraft. This drawing must be returned to BrassCraft if requested.

 BrassCraft [®] A Masco Company NOVI, MICHIGAN ALL GDT PER ANSI STD Y14.5M CLASSIFICATION OF QUALITY LEVELS	DESCRIPTION		DRAWING NO.	
	1/2 NOM PEX X 1/2 NOM PEX STRAIGHT VALVE (SUBMITTAL)		VPA1085A	
	DRAWN: SCHUTTE DATE: 12/20/06 CHK'D: Turnau DATE: 12/20/2006	MATERIAL	ITEM DESCRIPTION	
	APP'D.	DATE:	BRPX44	
CLASS: KPC (KEY PRODUCT CHARACTERISTICS) SYMBOL:  STPC (STANDARD PRODUCT CHARACTERISTICS) SYMBOL:  PRODUCT MARKINGS SYMBOL: 	NOTE: UNLESS OTHERWISE SPECIFIED TWO PLACE DECIMALS +/- .010 THREE PLACE DECIMALS +/- .005 ANGULARITY +/- 1°	VOLUME	ITEM ID	REV.
			BRPX44 R	A
		 SIZE: A	UNITS: INCH	SCALE: (UNLESS NOTED) FULL