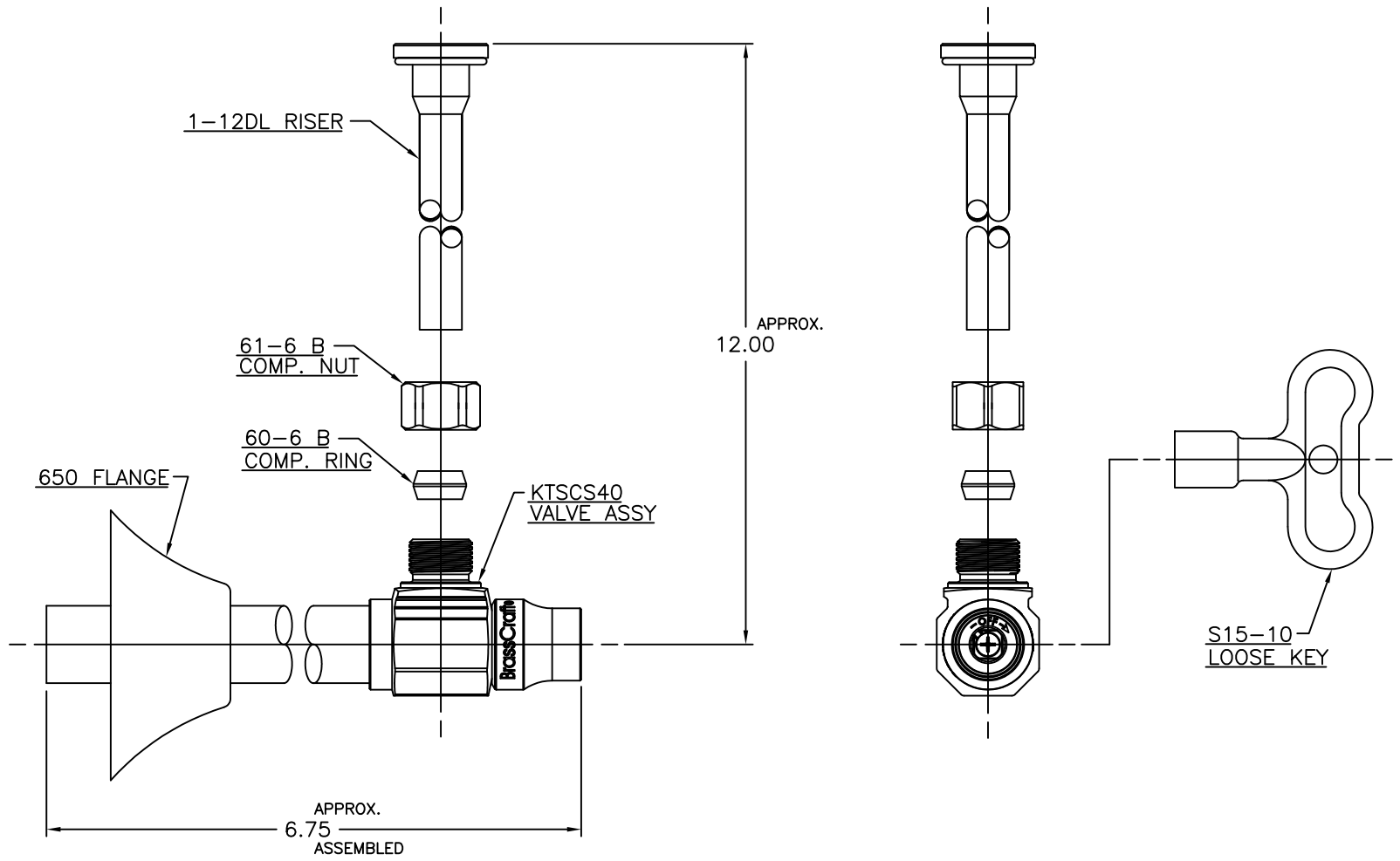



LET.	DATE	PER	BY	CHANGE
A	9/23/04	KAK	MJP	RELEASE



 BrassCraft A Masco Company NOVI, MICHIGAN		DESCRIPTION	DRAWING NO.		
		1/2 NOM SWT X 3/8 OD COMP 1/4 TURN BALL VLV W/5" EXT, LOOSE KEY & RISER (SUBMITTAL)	VPA0991A		
CLASS	SYMBOL	DRAWN	DATE:	MATERIAL	ITEM DESCRIPTION
ALL GDT PER ANSI STD Y14.5M CLASSIFICATION OF QUALITY LEVELS		PERNAK	9/23/04		KTSCS401DL
KPC (KEY PRODUCT CHARACTERISTICS) ◆		CHK'D.	DATE:	VOLUME	ITEM ID
STPC (STANDARD PRODUCT CHARACTERISTICS) ▲		Klimkie	09/23/2004		KTSCS401DL C
PRODUCT MARKINGS ○		APP'D.	DATE:		
NOTE: UNLESS OTHERWISE SPECIFIED TWO PLACE DECIMALS +/- .010 THREE PLACE DECIMALS +/- .005 ANGULARITY +/- 1°		UNITS	SCALE: (UNLESS NOTED)	REV.	
		INCH	FULL	A	

This drawing and all data contained herein is the confidential and exclusive property of BrassCraft Manufacturing, and shall not be disclosed to others without the written consent of BrassCraft. This drawing must be returned to BrassCraft if requested.