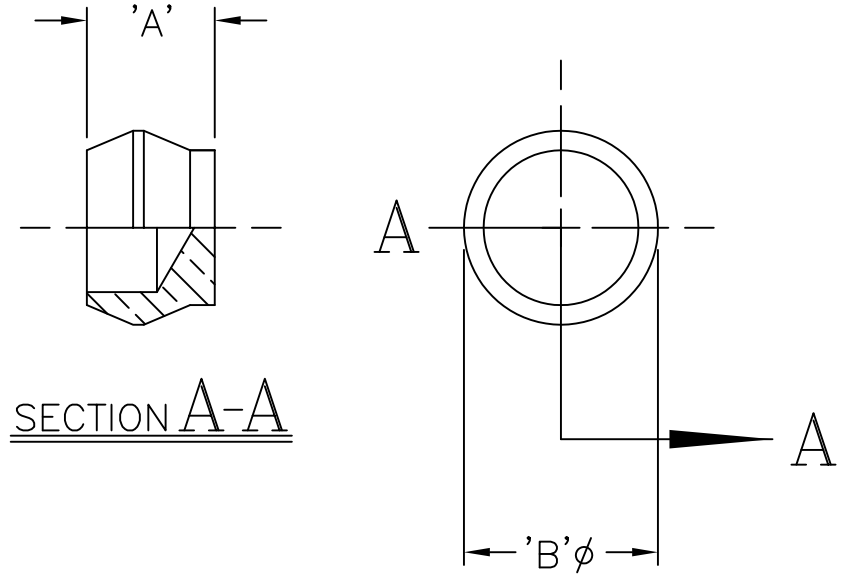


LET.	DATE	PER	BY	CHANGE
A	1/25/06	KAK	MJP	RELEASE

ITEM ID	ITEM DESC	TUBE SIZE	DIM 'A'	DIM 'B'
CSP-4 B	CSP-4	1/4	.31	.34
CSP-6 B	CSP-6	3/8	.31	.47
CSP-8 B	CSP-8	1/2	.34	.59
CSP-10 B	CSP-10	5/8	.34	.72



NOVI, MICHIGAN	
ALL GDT PER ANSI STD Y14.5M CLASSIFICATION OF QUALITY LEVELS	
CLASS	SYMBOL
KPC (KEY PRODUCT CHARACTERISTICS)	◇
STPC (STANDARD PRODUCT CHARACTERISTICS)	△
PRODUCT MARKINGS	○

DESCRIPTION COMPRESSION PLUGS (SUBMITTAL)		DRAWING NO. CFG0225A	
DRAWN PERNAK	DATE: 01/25/2006	MATERIAL	ITEM DESCRIPTION CSP-4 SEE CHART
CHK'D. Klimkie	DATE: 01/25/2006	VOLUME	ITEM ID CSP-4 B SEE CHART
APP'D.	DATE:	NOTE: UNLESS OTHERWISE SPECIFIED TWO PLACE DECIMALS +/-.010 THREE PLACE DECIMALS +/-.005 ANGULARITY +/-.1°	

UNITS INCH	SCALE: (UNLESS NOTED) 2:1	REV. A
---------------	---------------------------------	-----------

This drawing and all data contained herein is the confidential and exclusive property of BrassCraft Manufacturing, and shall not be disclosed to others without the written consent of BrassCraft. This drawing must be returned to BrassCraft if requested.