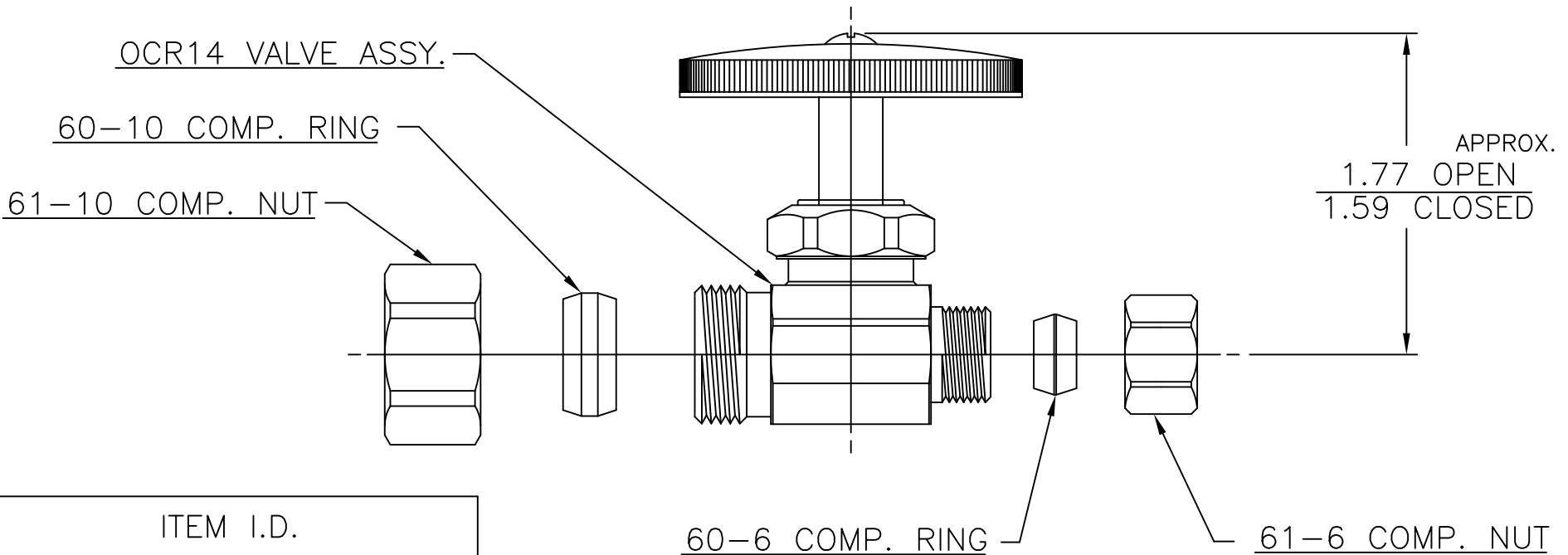


LET.	DATE	PER	BY	CHANGE
C	5/30/03	WFT	MJP	REVISED & UPDATED



ITEM I.D.	
ROUGH	CHROME
OCR14 R	OCR14 C
OCR14Z R	OCR14Z C



NOVI, MICHIGAN	
ALL GDT PER ANSI STD Y14.5M CLASSIFICATION OF QUALITY LEVELS	
CLASS	SYMBOL
KPC (KEY PRODUCT CHARACTERISTICS)	◇
STPC (STANDARD PRODUCT CHARACTERISTICS)	△
PRODUCT MARKINGS	○

DESCRIPTION 1/2 NOM COMP X 3/8 OD COMP STRAIGHT VALVE (SUBMITTAL)		DRAWING NO. VPA0534C	
DRAWN PERNAK	DATE: 3/6/2003	MATERIAL	ITEM DESCRIPTION OCR14
CHK'D. Klimkie	DATE: 05/30/2003		VOLUME
APP'D.	DATE:	UNITS INCH	
NOTE: UNLESS OTHERWISE SPECIFIED TWO PLACE DECIMALS +/- .010 THREE PLACE DECIMALS +/- .005 ANGULARITY +/- 1°			SIZE A

This drawing and all data contained herein is the confidential and exclusive property of BrassCraft Manufacturing, and shall not be disclosed to others without the written consent of BrassCraft. This drawing must be returned to BrassCraft if requested.