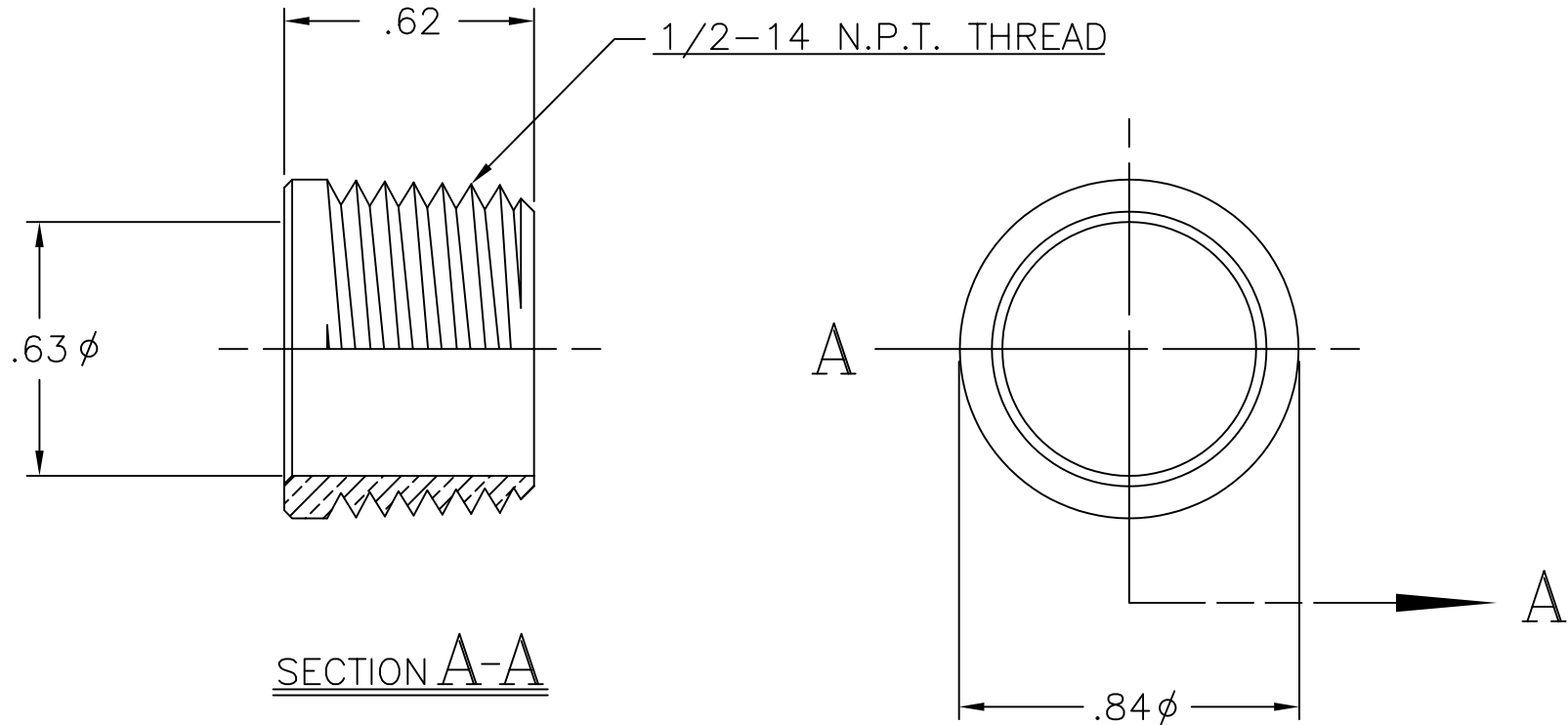


LET.	DATE	PER	BY	CHANGE
A	6/4/04	WFT	MJP	RELEASE



NOVI, MICHIGAN

ALL GDT PER ANSI STD Y14.5M  
CLASSIFICATION OF QUALITY LEVELS

CLASS	SYMBOL
KPC (KEY PRODUCT CHARACTERISTICS)	◇
STPC (STANDARD PRODUCT CHARACTERISTICS)	△
PRODUCT MARKINGS	○

DESCRIPTION  
1/2 NOM COPPER SWT X 1/2 MIP  
FLUSH BUSHING (SUBMITTAL)

DRAWN PERNAK	DATE: 06/04/2004	MATERIAL
CHK'D. Schutte	DATE: 06/04/2004	VOLUME
APP'D.	DATE:	

DRAWING NO.  
PFB0057A

ITEM DESCRIPTION  
PSA-8

ITEM ID  
PSA-8

NOTE: UNLESS OTHERWISE SPECIFIED  
TWO PLACE DECIMALS +/- .010  
THREE PLACE DECIMALS +/- .005  
ANGULARITY +/- 1°



UNITS  
INCH

SCALE:  
(UNLESS NOTED)  
2:1

REV.  
A

This drawing and all data contained herein is the confidential and exclusive property of BrassCraft Manufacturing, and shall not be disclosed to others without the written consent of BrassCraft. This drawing must be returned to BrassCraft if requested.