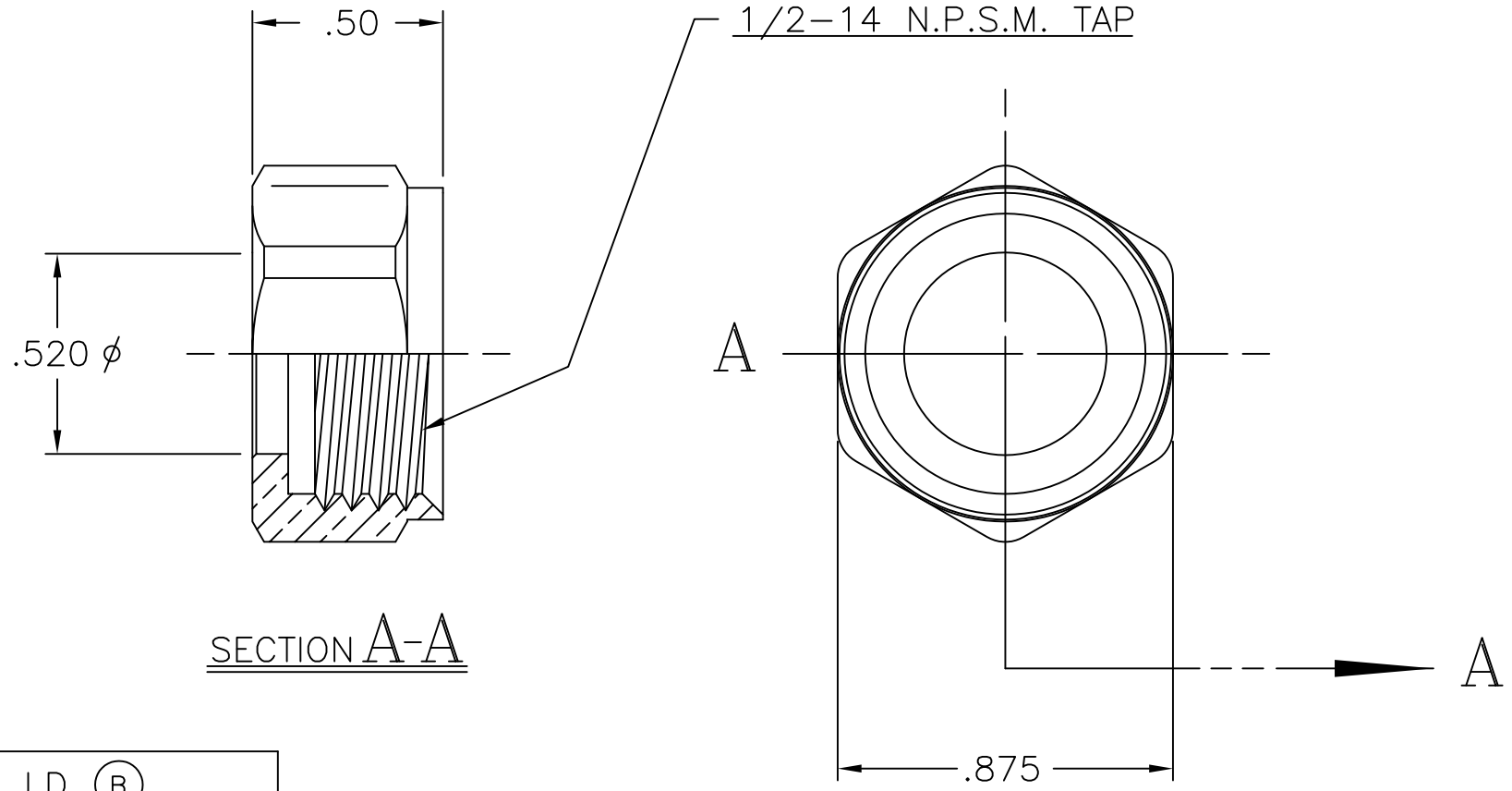


LET.	DATE	PER	BY	CHANGE
A	5/2/97	WFT	JPS	RELEASE
B	9/25/02	JPS	KAK	ADDED CHART



ITEM I.D. (B)	
CHROME	ROUGH
SJ300 C	SJ300 R



NOVI, MICHIGAN	
ALL GDT PER ANSI STD Y14.5M CLASSIFICATION OF QUALITY LEVELS	
CLASS	SYMBOL
KPC (KEY PRODUCT CHARACTERISTICS)	◇
STPC (STANDARD PRODUCT CHARACTERISTICS)	△
PRODUCT MARKINGS	○

DESCRIPTION 7/16 & 1/2 RUBBER SLIP NUT (SUBMITTAL)	
DRAWN SCHUTTE	DATE: 5/2/97
CHK'D. JPS	DATE: 11/01/2002
APP'D.	DATE:

DRAWING NO. VPA0537B
ITEM DESCRIPTION SJ300
ITEM ID SJ300 C SEE CHART

This drawing and all data contained herein is the confidential and exclusive property of BrassCraft Manufacturing, and shall not be disclosed to others without the written consent of BrassCraft. This drawing must be returned to BrassCraft if requested.

NOTE: UNLESS OTHERWISE SPECIFIED  
TWO PLACE DECIMALS +/- .010  
THREE PLACE DECIMALS +/- .005  
ANGULARITY +/- 1°

A SIZE	UNITS	SCALE: (UNLESS NOTED)	REV.
	INCH	FULL	B