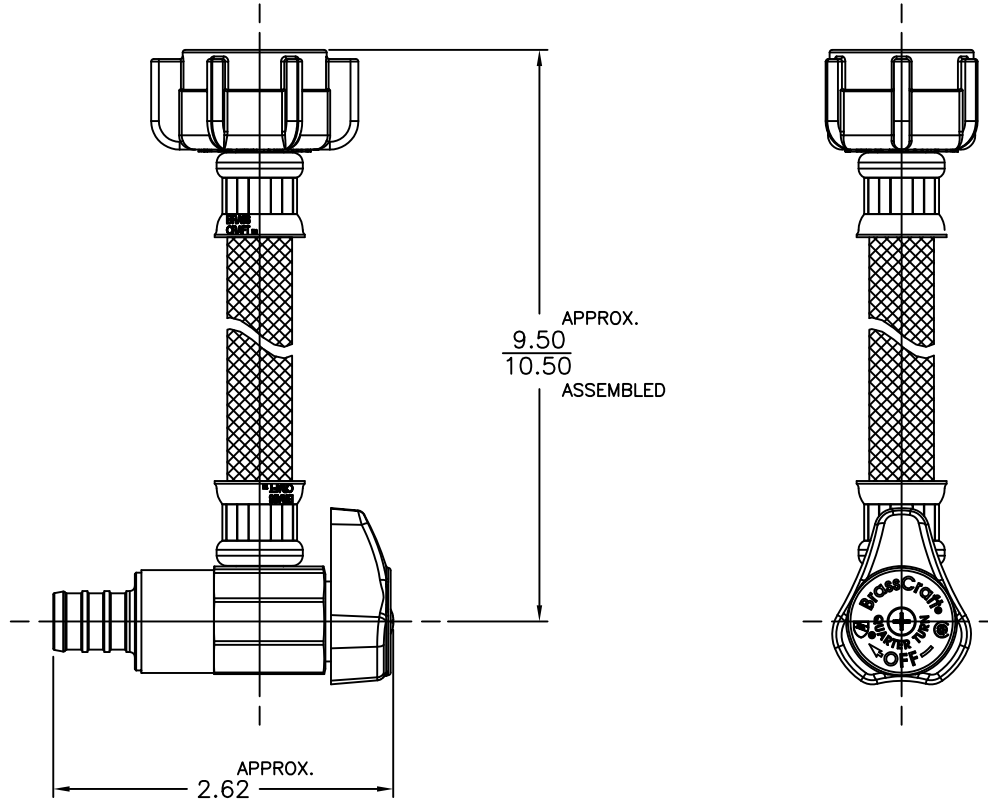


LET.	DATE	PER	BY	CHANGE
A	10/12/07	JPS	KAK	RELEASE



NOVI, MICHIGAN
ALL GD'T PER ANSI STD Y14.5M
CLASSIFICATION OF QUALITY LEVELS

This drawing and all data contained herein is the confidential and exclusive property of BrassCraft Manufacturing, and shall not be disclosed to others without the written consent of BrassCraft. This drawing must be returned to BrassCraft if requested.

CLASS SYMBOL
KPC (KEY PRODUCT CHARACTERISTICS) \diamond
STPC (STANDARD PRODUCT CHARACTERISTICS) \triangle
PRODUCT MARKINGS \square

DESCRIPTION
1/2 NOM PEX X 7/8 FIP BALLCOCK
ONE-PIECE RISER (SUBMITTAL)

DRAWN	DATE:	MATERIAL	ITEM DESCRIPTION
KLIMKIE	10/12/2007		G2BRPX19B90DLF
CHK'D.	DATE:	VOLUME	ITEM ID
Schutte	10/15/2007		G2BRPX19B90DLF CB
APP'D.	DATE:		

DRAWING NO.
VPA1101A

NOTE: UNLESS OTHERWISE SPECIFIED
TWO PLACE DECIMALS +/- .010
THREE PLACE DECIMALS +/- .005
ANGULARITY +/- 1°

UNITS INCH
SCALE: (UNLESS NOTED) FULL
REV. A