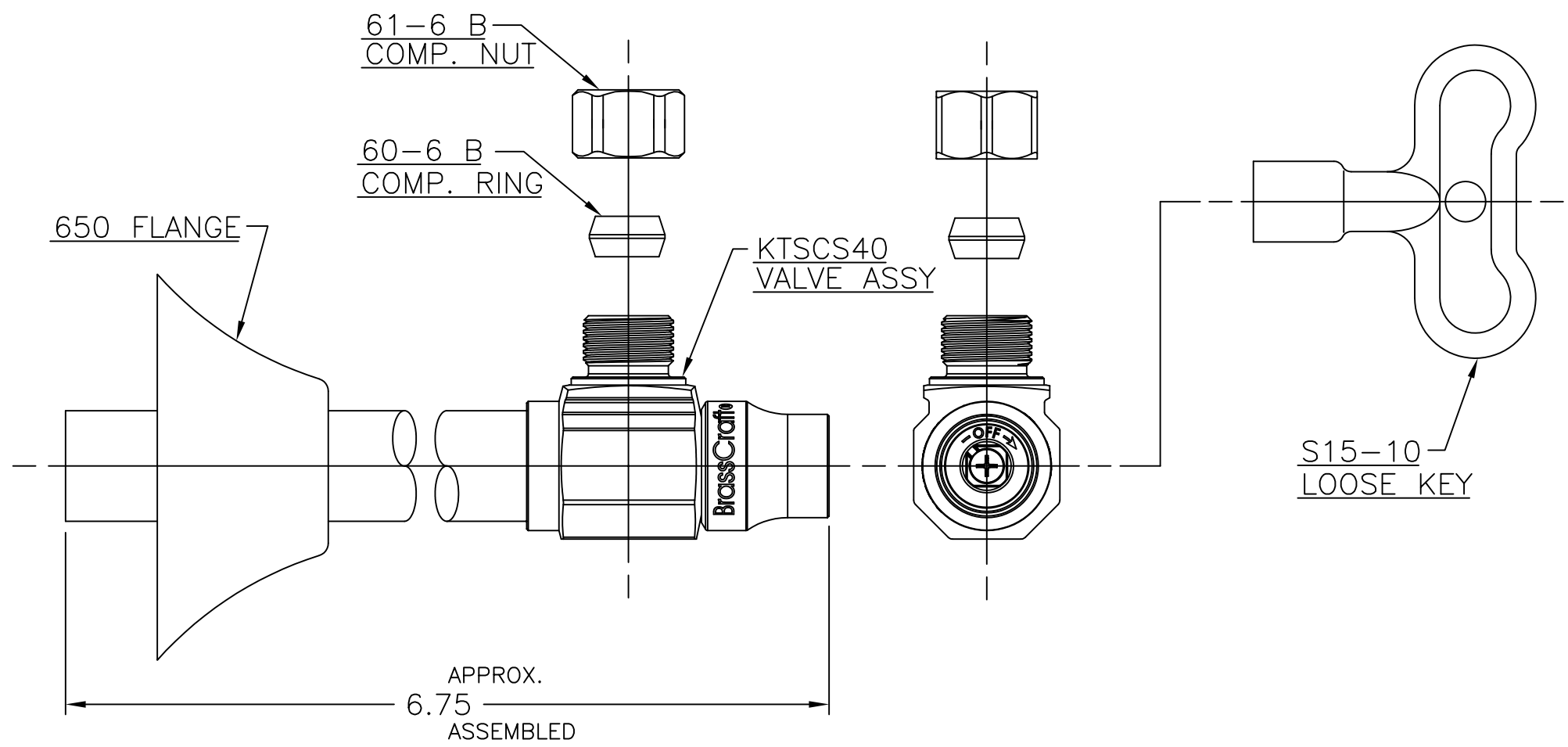


LET.	DATE	PER	BY	CHANGE
C	10/9/03	RDG	KAK	REVISED & UPDATED



NOVI, MICHIGAN

ALL GDT PER ANSI STD Y14.5M  
CLASSIFICATION OF QUALITY LEVELS

CLASS	SYMBOL
KPC (KEY PRODUCT CHARACTERISTICS)	◇
STPC (STANDARD PRODUCT CHARACTERISTICS)	△
PRODUCT MARKINGS	○

DESCRIPTION  
1/2 NOM SWT X 3/8 OD COMP 1/4 TURN BALL VALVE W/ 5" EXT & LOOSE KEY (SUBMITTAL)

DRAWN: KLIMKIE  
DATE: 10/9/03

CHK'D: Green  
DATE: 01/08/2004

APP'D. DATE:

MATERIAL  
  
VOLUME

DRAWING NO.  
VPA0836C

ITEM DESCRIPTION  
KTSCS40B

ITEM ID  
KTSCS40B C

This drawing and all data contained herein is the confidential and exclusive property of BrassCraft Manufacturing, and shall not be disclosed to others without the written consent of BrassCraft. This drawing must be returned to BrassCraft if requested.

NOTE: UNLESS OTHERWISE SPECIFIED  
TWO PLACE DECIMALS +/- .010  
THREE PLACE DECIMALS +/- .005  
ANGULARITY +/- 1°

A  
SIZE

UNITS  
INCH

SCALE:  
(UNLESS NOTED)  
FULL

REV.  
C