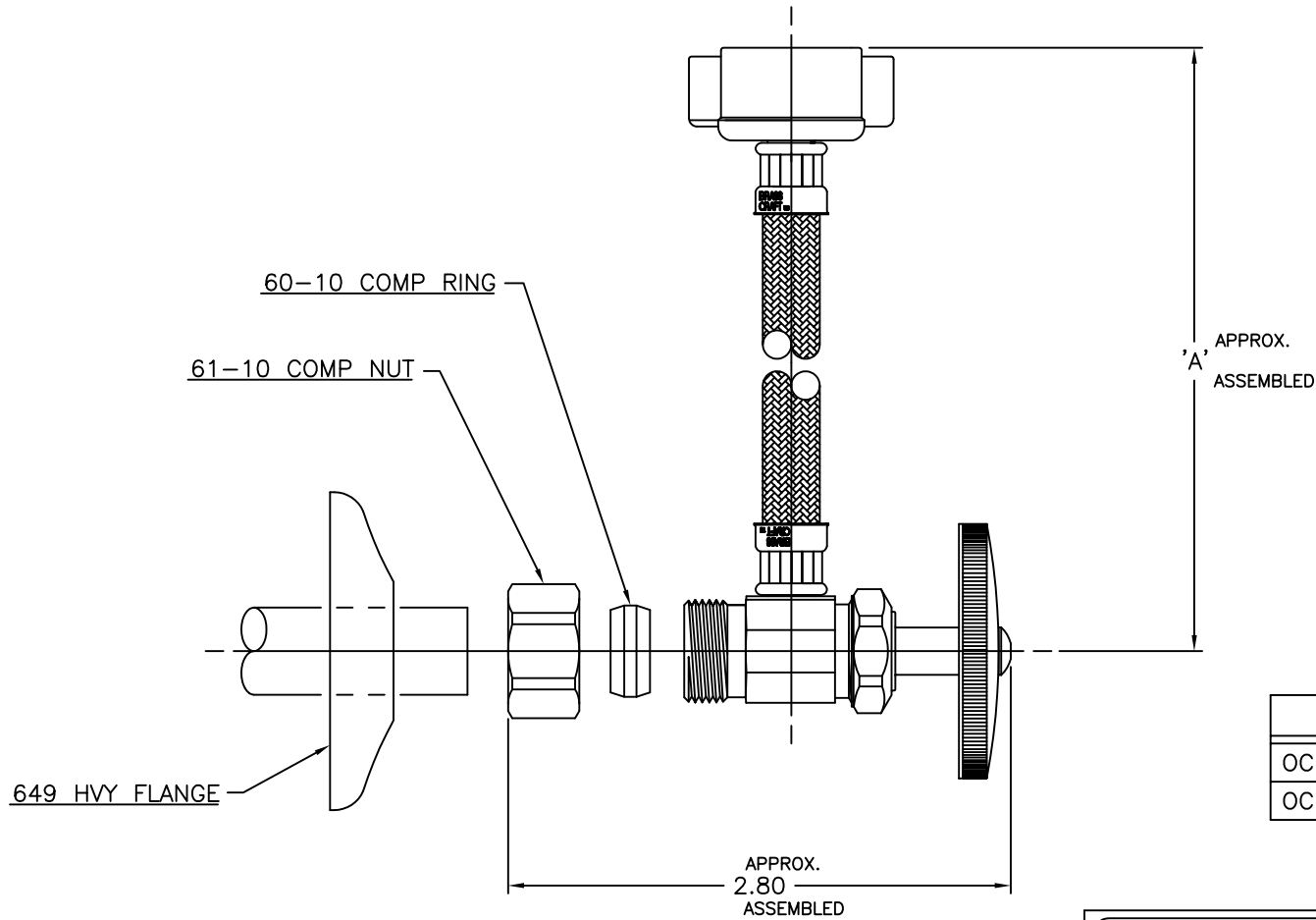


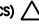



LET.	DATE	PER	BY	CHANGE
C	5/23/03	WFT	MJP	REVISED & UPDATED



ITEM I.D.	ITEM DESC.	LENGTH 'A'
OCR19B120DL C	OCR19B120DL	12.50/13.50
OCR19B160DL C	OCR19B160DL	16.50/17.50

 <b>BrassCraft</b> A Masco Company NOVI, MICHIGAN	DESCRIPTION		DRAWING NO.
	1/2 NOM COMP X 7/8 FIP POLYMER BALLCOCK RISER (SUBMITTAL)		VPA0815C
	DRAWN DATE:	MATERIAL	ITEM DESCRIPTION
	SCHUTTE 08/20/2001		OCR19B120DL SEE CHART
CHK'D. DATE:	VOLUME	ITEM ID	
Klimkie 05/23/2003		OCR19B120DL C	
APP'D. DATE:		SEE CHART	
ALL GDT PER ANSI STD Y14.5M CLASSIFICATION OF QUALITY LEVELS		NOTE: UNLESS OTHERWISE SPECIFIED TWO PLACE DECIMALS +/- .010 THREE PLACE DECIMALS +/- .005 ANGULARITY +/- 1°	UNITS INCH
KPC (KEY PRODUCT CHARACTERISTICS)  STPC (STANDARD PRODUCT CHARACTERISTICS)  PRODUCT MARKINGS 	CLASS SYMBOL	SCALE: (UNLESS NOTED) 2:1	REV. C

This drawing and all data contained herein is the confidential and exclusive property of BrassCraft Manufacturing, and shall not be disclosed to others without the written consent of BrassCraft. This drawing must be returned to BrassCraft if requested.