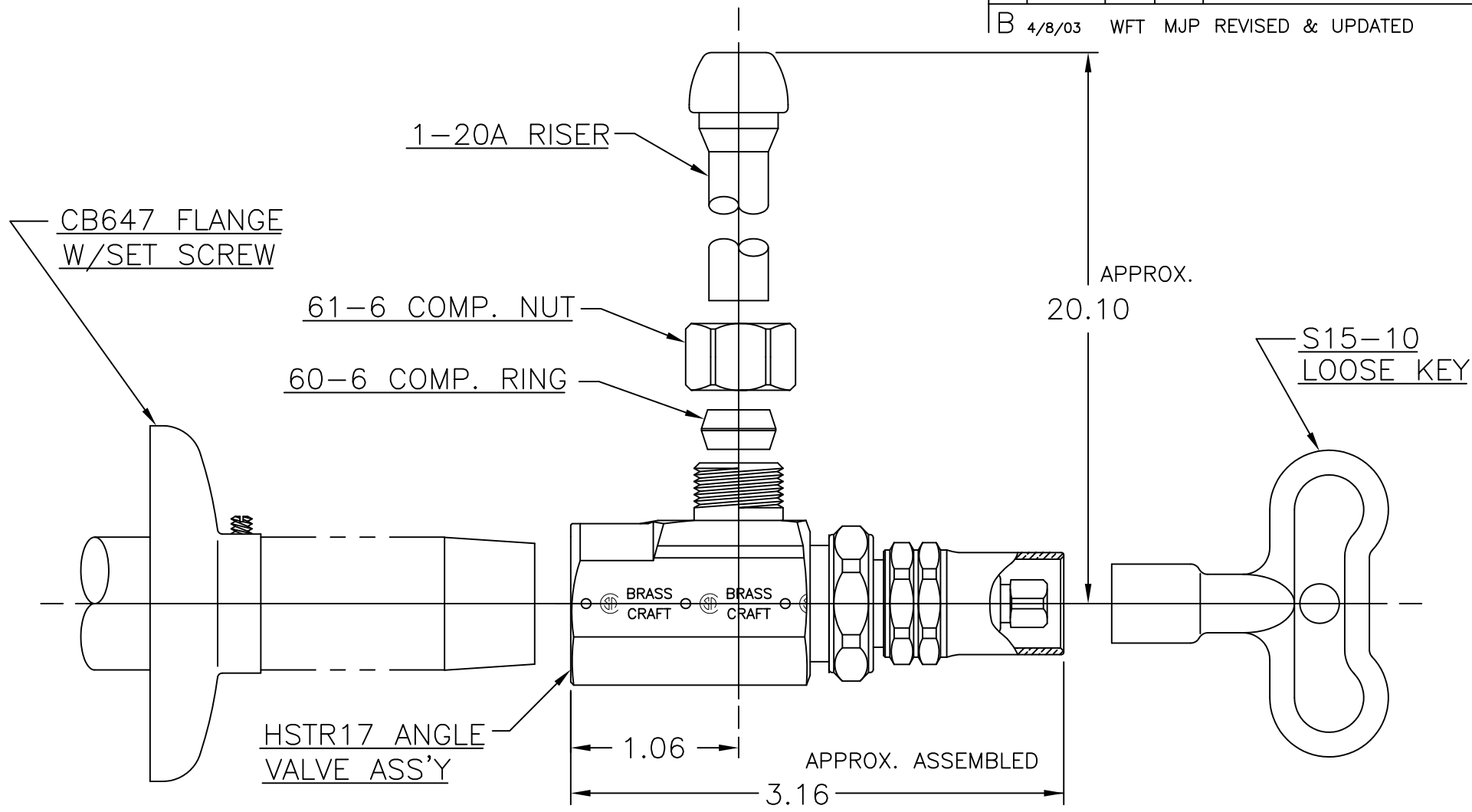


LET.	DATE	PER	BY	CHANGE
B	4/8/03	WFT	MJP	REVISED & UPDATED



NOVI, MICHIGAN	
ALL GDT PER ANSI STD Y14.5M CLASSIFICATION OF QUALITY LEVELS	
CLASS	SYMBOL
KPC (KEY PRODUCT CHARACTERISTICS)	◇
STPC (STANDARD PRODUCT CHARACTERISTICS)	△
PRODUCT MARKINGS	○

DESCRIPTION 1/2 F.I.P. X 3/8 O.D. COMP. HWY PTRN VALVE W/RISER, LOOSE KEY & STUFFING BOX (SUBMITTAL)	
DRAWN KLIMKIE 02/13/2003	DATE: 02/13/2003
CHK'D. KAK	DATE: 04/08/2003
APP'D.	DATE:
NOTE: UNLESS OTHERWISE SPECIFIED TWO PLACE DECIMALS +/- .010 THREE PLACE DECIMALS +/- .005 ANGULARITY +/- 1°	

DRAWING NO. VPA0911B
ITEM DESCRIPTION HSTR1720ACB
ITEM ID HSTR1720ACB C
UNITS INCH
SCALE: (UNLESS NOTED) FULL
REV. B

This drawing and all data contained herein is the confidential and exclusive property of BrassCraft Manufacturing, and shall not be disclosed to others without the written consent of BrassCraft. This drawing must be returned to BrassCraft if requested.