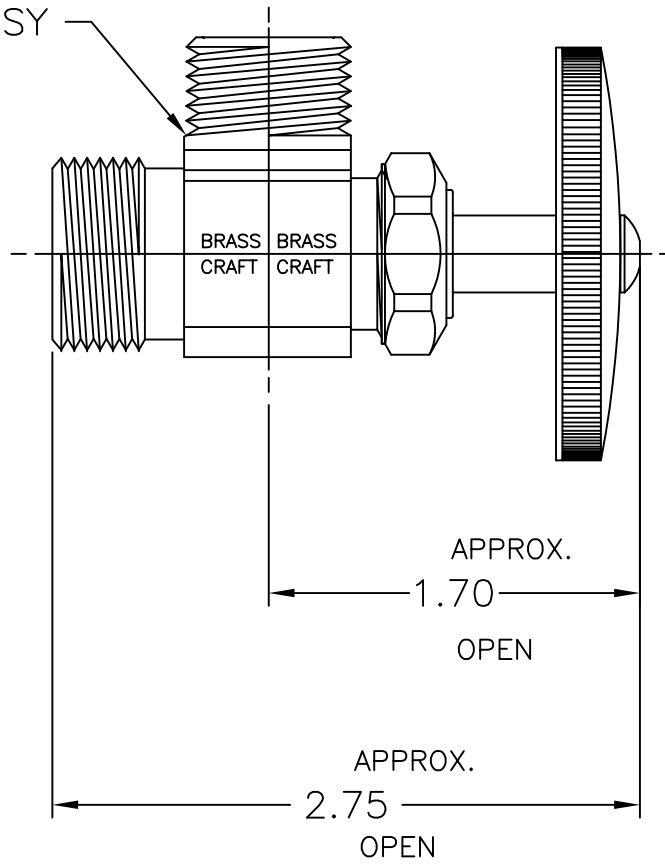


LET.	DATE	PER	BY	CHANGE
C	2/4/03	WFT	MJP	REVISED & UPDATED

DSR87Z VALVE ASSY



ITEM I.D.	
ROUGH	CHROME
DSR87Z RB	DSR87Z CB



NOVI, MICHIGAN

ALL GDT PER ANSI STD Y14.5M
CLASSIFICATION OF QUALITY LEVELS

CLASS	SYMBOL
KPC (KEY PRODUCT CHARACTERISTICS)	◇
STPC (STANDARD PRODUCT CHARACTERISTICS)	△
PRODUCT MARKINGS	○

DESCRIPTION
1/2 O.D. COMP. X 5/8 O.D. COMP.
VALVE (SUBMITTAL)

DRAWN	DATE:
SCHUTTE	6/9/99
CHK'D.	DATE:
Klimkie	04/04/2003
APP'D.	DATE:

MATERIAL
VOLUME

DRAWING NO.
VPA0702C

ITEM DESCRIPTION
DSR87Z

ITEM ID
DSR87Z CB

NOTE: UNLESS OTHERWISE SPECIFIED
TWO PLACE DECIMALS +/- .010
THREE PLACE DECIMALS +/- .005
ANGULARITY +/- 1°

A
SIZE

UNITS
INCH

SCALE:
(UNLESS NOTED)
FULL

REV.
C

This drawing and all data contained herein is the confidential and exclusive property of BrassCraft Manufacturing, and shall not be disclosed to others without the written consent of BrassCraft. This drawing must be returned to BrassCraft if requested.