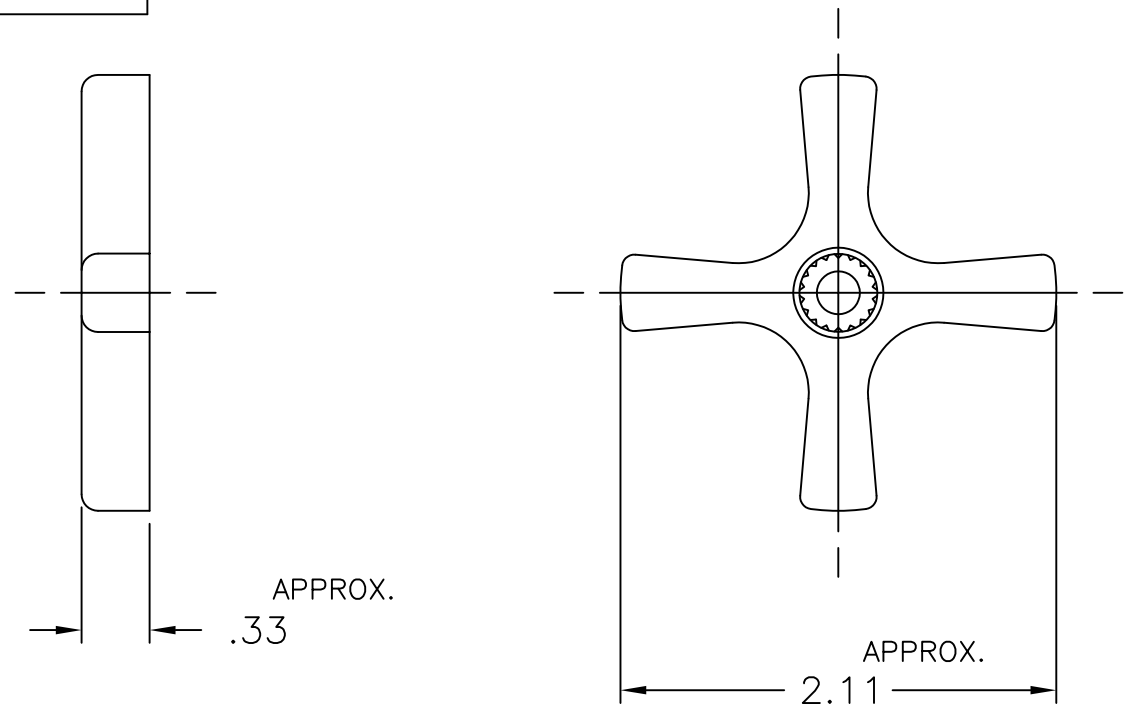


LET.	DATE	PER	BY	CHANGE
A	11/11/03	WFT	MJP	RELEASE

ITEM I.D.	
BRILLIANCE	CHROME
X15-10 BRLD	X15-10 C



NOVI, MICHIGAN	
ALL GDT PER ANSI STD Y14.5M CLASSIFICATION OF QUALITY LEVELS	
CLASS	SYMBOL
KPC (KEY PRODUCT CHARACTERISTICS)	◇
STPC (STANDARD PRODUCT CHARACTERISTICS)	△
PRODUCT MARKINGS	○

DESCRIPTION CROSS HANDLE (SUBMITTAL)		DRAWING NO. VPH0768A	
DRAWN PERNAK	DATE: 11/11/2003	MATERIAL	ITEM DESCRIPTION X15-10
CHK'D. Klimkie	DATE: 11/11/2003	VOLUME	ITEM ID X15-10 C SEE CHART
APP'D.	DATE:	NOTE: UNLESS OTHERWISE SPECIFIED TWO PLACE DECIMALS +/- .010 THREE PLACE DECIMALS +/- .005 ANGULARITY +/- 1°	UNITS INCH
		SCALE: (UNLESS NOTED) FULL	REV. A

This drawing and all data contained herein is the confidential and exclusive property of BrassCraft Manufacturing, and shall not be disclosed to others without the written consent of BrassCraft. This drawing must be returned to BrassCraft if requested.