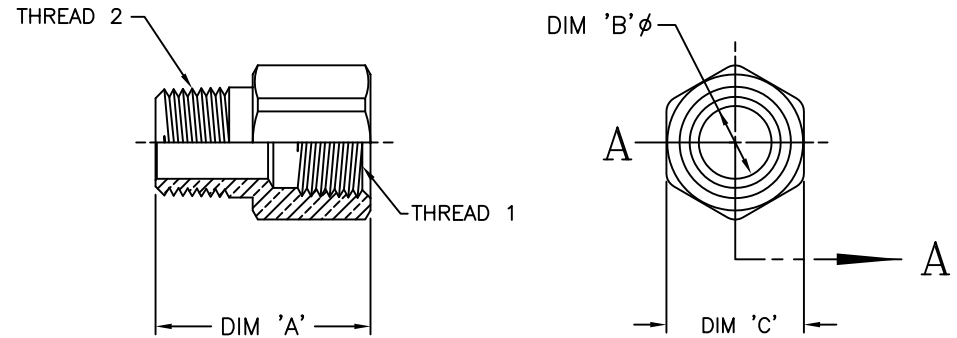


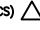




LET.	DATE	PER	BY	CHANGE
A	11/30/05	KAK	MJP	RELEASE

ITEM I.D. (BRASS)	PIPE THREAD		DIM 'A'	DIM 'B'	DIM 'C'
	1	2			
120-2 B	1/8	1/8	.88	.219	9/16
120-4-2 B	1/4	1/8	1.06	.219	3/4
120-4 B	1/4	1/4	1.25	.312	3/4
120-6-2 B	3/8	1/8	1.07	.219	7/8
120-6-4 B	3/8	1/4	1.25	.312	7/8
120-6 B	3/8	3/8	1.25	.438	7/8
120-8-4 B	1/2	1/4	1.47	.312	1-1/16
120-8-6 B	1/2	3/8	1.47	.438	1-1/16
120-8 B	1/2	1/2	1.66	.562	1-1/16
120-12-6 B	3/4	3/8	1.50	.438	1-3/8
120-12-8 B	3/4	1/2	1.69	.562	1-3/8
120-12 B	3/4	3/4	1.69	.750	1-3/8



This drawing and all data contained herein is the confidential and exclusive property of BrassCraft Manufacturing, and shall not be disclosed to others without the written consent of BrassCraft. This drawing must be returned to BrassCraft if requested.

 <b>BrassCraft</b> A Masco Company NOVI, MICHIGAN ALL GDT PER ANSI STD Y14.5M CLASSIFICATION OF QUALITY LEVELS CLASS SYMBOL KPC (KEY PRODUCT CHARACTERISTICS)  STPC (STANDARD PRODUCT CHARACTERISTICS)  PRODUCT MARKINGS 	DESCRIPTION PIPE ADAPTORS (SUBMITTAL)		DRAWING NO. PFC0332A	
	DRAWN PERNAK DATE: 11/30/2005	MATERIAL	ITEM DESCRIPTION 120-2	
	CHK'D. Klimkie DATE: 12/01/2005	VOLUME	ITEM ID 120-2 B SEE CHART	
	APP'D. DATE:	NOTE: UNLESS OTHERWISE SPECIFIED TWO PLACE DECIMALS +/- .010 THREE PLACE DECIMALS +/- .005 ANGULARITY +/- 1°	 UNITS INCH	SCALE: (UNLESS NOTED) FULL