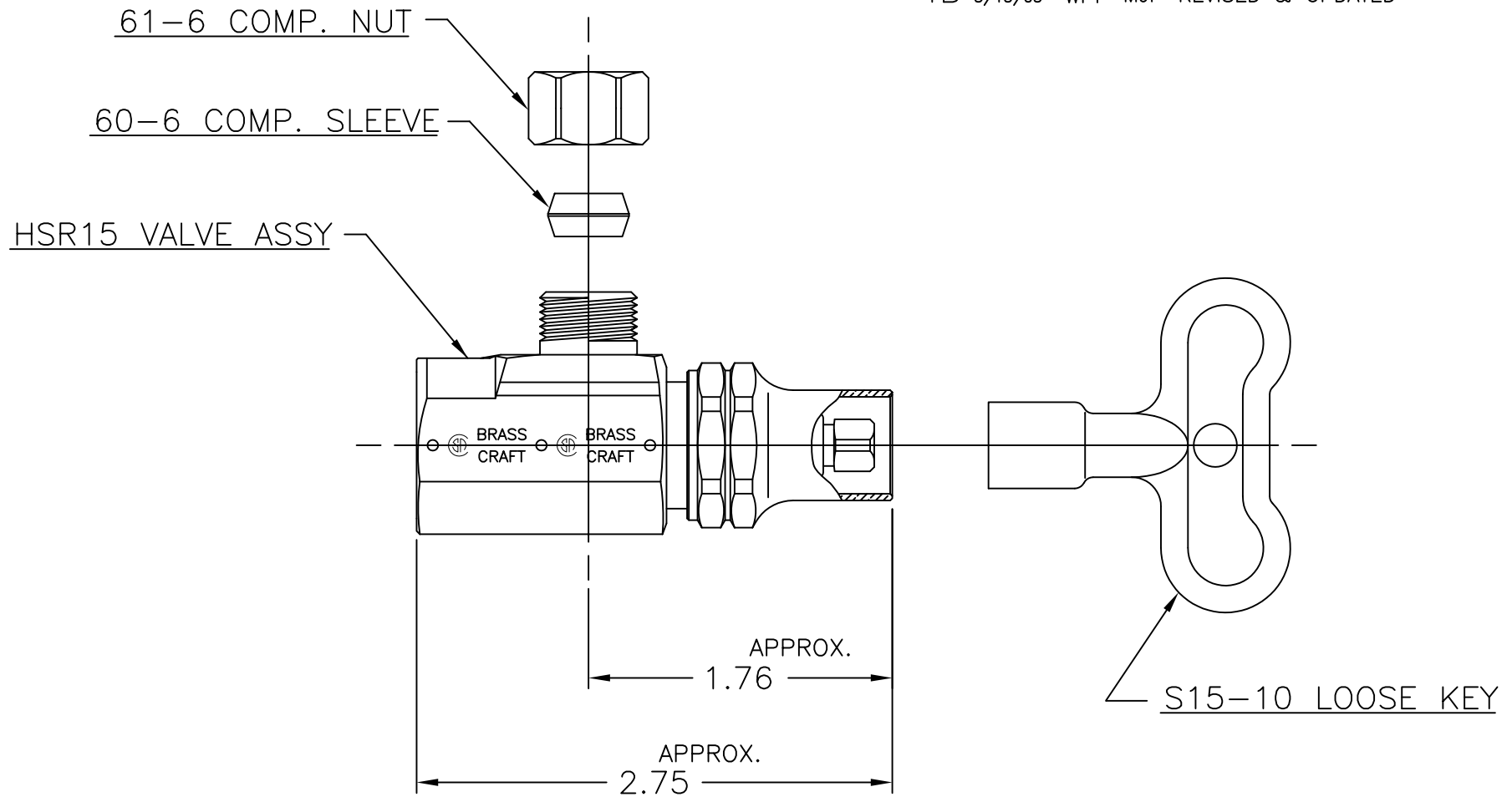




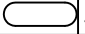


LET.	DATE	PER	BY	CHANGE
B	3/13/03	WFT	MJP	REVISED & UPDATED



 BrassCraft [®] A Masco Company NOVI, MICHIGAN	DESCRIPTION		DRAWING NO.	
	3/8 FIP X 3/8 OD COMP HEAVY PATTERN VALVE (SUBMITTAL)		VPA0634B	
	DRAWN PERNAK	DATE: 3/13/2003	MATERIAL	ITEM DESCRIPTION
	CHK'D. Klimkie	DATE: 04/29/2003	VOLUME	HSR15
APP'D. 	DATE: 		ITEM ID	
			HSR15 C	
ALL GDT PER ANSI STD Y14.5M CLASSIFICATION OF QUALITY LEVELS		NOTE: UNLESS OTHERWISE SPECIFIED TWO PLACE DECIMALS +/- .010 THREE PLACE DECIMALS +/- .005 ANGULARITY +/- 1°	UNITS INCH	SCALE: (UNLESS NOTED) FULL
CLASS SYMBOL			REV. B	
KPC (KEY PRODUCT CHARACTERISTICS) 				
STPC (STANDARD PRODUCT CHARACTERISTICS) 				
PRODUCT MARKINGS 				

This drawing and all data contained herein is the confidential and exclusive property of BrassCraft Manufacturing, and shall not be disclosed to others without the written consent of BrassCraft. This drawing must be returned to BrassCraft if requested.