

LET.	DATE	PER	BY	CHANGE
------	------	-----	----	--------

A 10/01/09 REQ DCT RELEASE

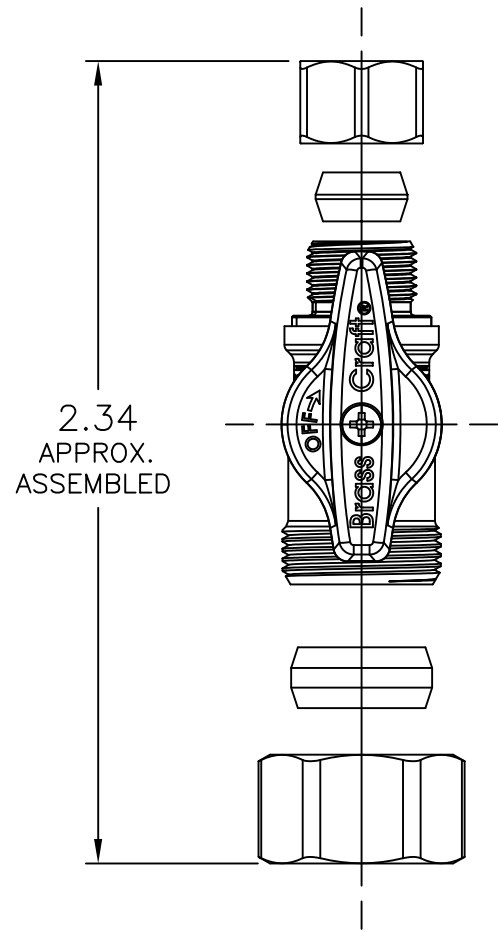
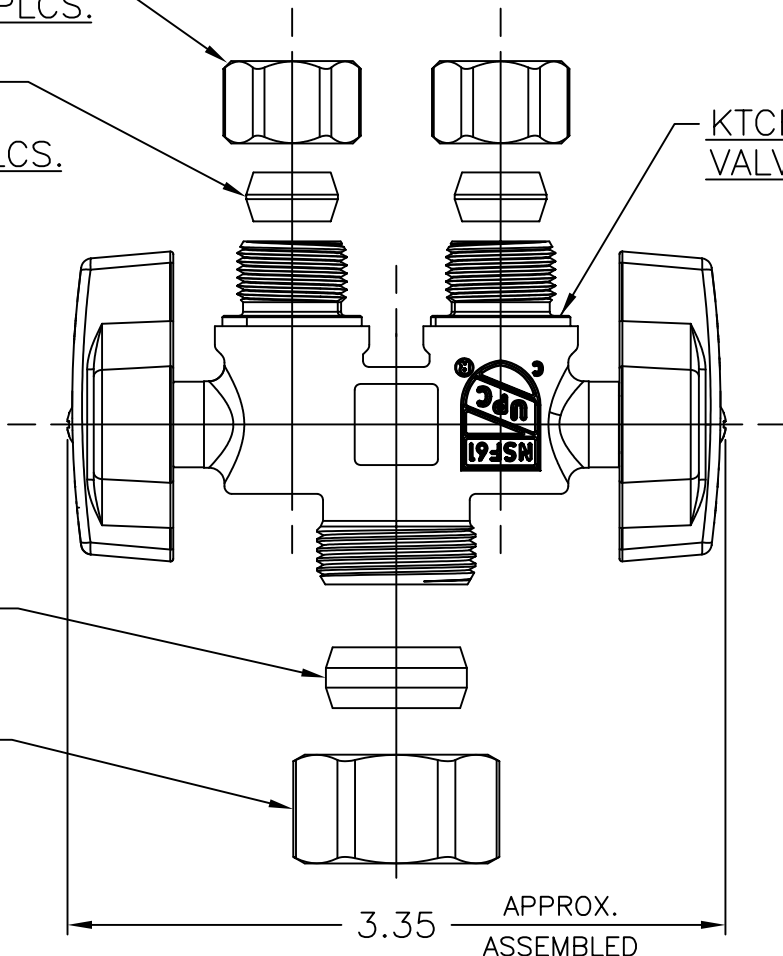
61-6 B
COMP NUT
TYP. (2) PLCS.

60-6 B
COMP RING
TYP. (2) PLCS.

KTCR1901DVS
VALVE ASS'Y.

60-10 B
COMP RING

61-10 B
COMP NUT



NOVI, MICHIGAN

ALL GDT PER ANSI STD Y14.5M
CLASSIFICATION OF QUALITY LEVELS

CLASS	SYMBOL
KPC (KEY PRODUCT CHARACTERISTICS)	◇
STPC (STANDARD PRODUCT CHARACTERISTICS)	△
PRODUCT MARKINGS	○

DESCRIPTION
1/2 NOM COMP x 3/8 OD COMP x
3/8 OD COMP DUAL SHUTOFF VALVE

DRAWN DATE:
TISCH 10/01/2009

CHK'D. DATE:
Learmont 10/01/2009

APP'D. DATE:

MATERIAL

VOLUME

DRAWING NO.
VPA1156A

ITEM DESCRIPTION
KTCR1901DVS R

ITEM ID
KTCR1901DVS R

This drawing and all data contained herein is the confidential and exclusive property of BrassCraft Manufacturing, and shall not be disclosed to others without the written consent of BrassCraft. This drawing must be returned to BrassCraft if requested.

NOTE: UNLESS OTHERWISE SPECIFIED
TWO PLACE DECIMALS +/- .010
THREE PLACE DECIMALS +/- .005
ANGULARITY +/- 1°

A
SIZE

UNITS
INCH

SCALE:
(UNLESS NOTED)
2:1

REV.
A