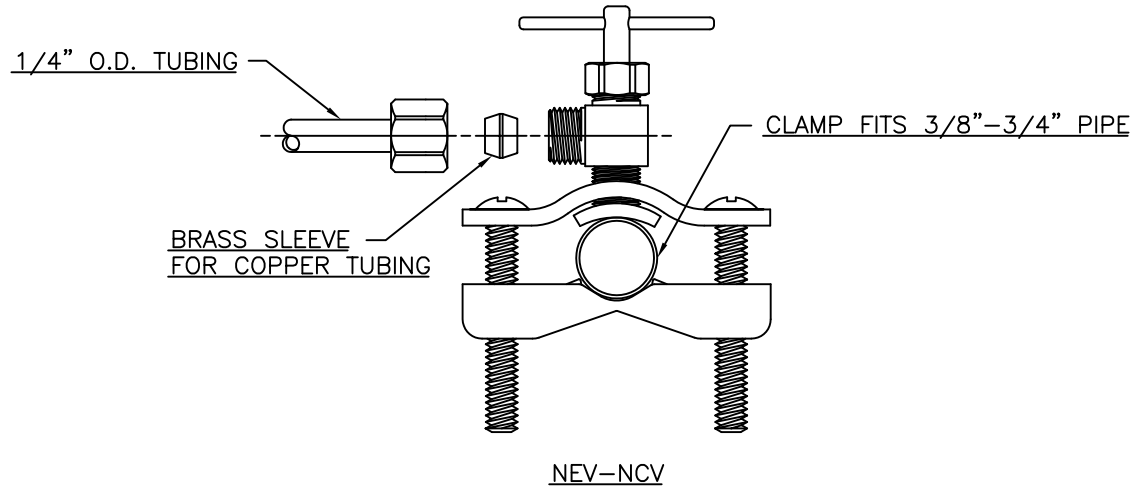
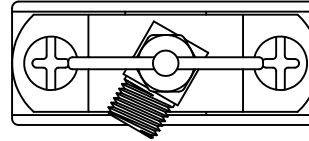


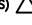



LET.	DATE	PER	BY	CHANGE
A	1/29/04	WFT	MJP	RELEASE



NEV-NCV

 BrassCraft A Masco Company NOVI, MICHIGAN ALL GDT PER ANSI STD Y14.5M CLASSIFICATION OF QUALITY LEVELS CLASS SYMBOL	DESCRIPTION		DRAWING NO.		
	NEEDLE VALVE KIT (SUBMITTAL)		VPA0947A		
	DRAWN: PERNAK DATE: 01/29/2004 CHK'D: Klimkie DATE: 01/29/2004	MATERIAL	ITEM DESCRIPTION		
	APP'D. DATE:	VOLUME	NEV-NCV		
KPC (KEY PRODUCT CHARACTERISTICS)  STPC (STANDARD PRODUCT CHARACTERISTICS)  PRODUCT MARKINGS 	NOTE: UNLESS OTHERWISE SPECIFIED TWO PLACE DECIMALS +/- .010 THREE PLACE DECIMALS +/- .005 ANGULARITY +/- 1°		UNITS INCH	SCALE: (UNLESS NOTED) FULL	REV. A
	B SIZE				

This drawing and all data contained herein is the confidential and exclusive property of BrassCraft Manufacturing, and shall not be disclosed to others without the written consent of BrassCraft. This drawing must be returned to BrassCraft if requested.