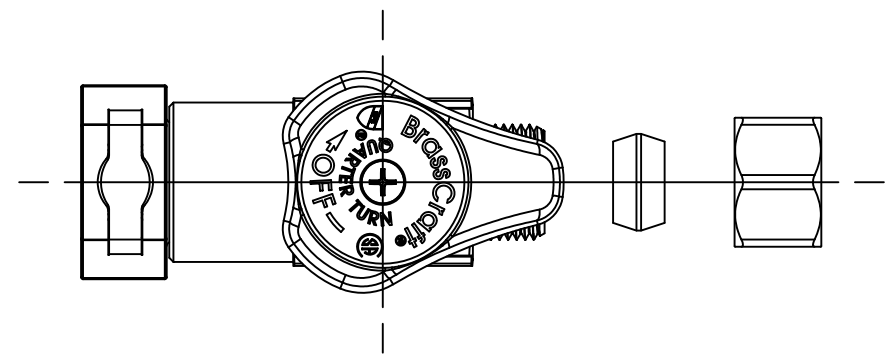


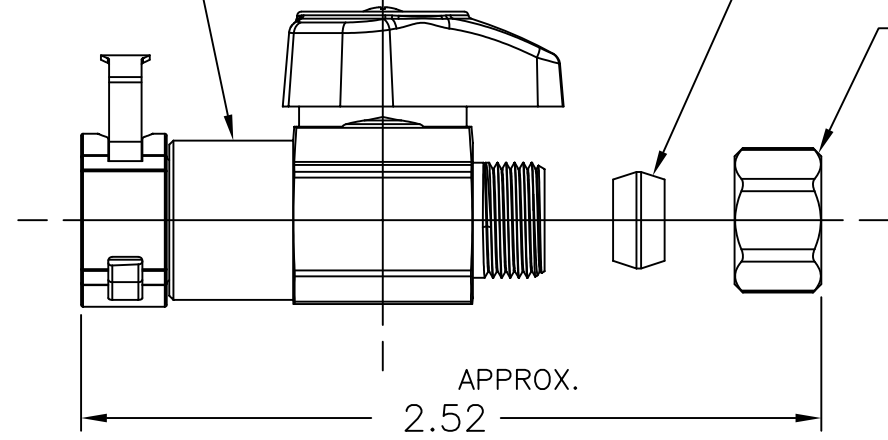
LET.	DATE	PER	BY	CHANGE
A	4/17/06	JPS	KAK	RELEASE



G2SC14 VALVE ASS'Y

60-6 B
COMP RING

61-6 B
COMP NUT



APPROX.
2.52
ASSEMBLED



NOVI, MICHIGAN

ALL GDT PER ANSI STD Y14.5M
CLASSIFICATION OF QUALITY LEVELS

CLASS	SYMBOL
KPC (KEY PRODUCT CHARACTERISTICS)	◇
STPC (STANDARD PRODUCT CHARACTERISTICS)	△
PRODUCT MARKINGS	○

DESCRIPTION SURECONNECT X 3/8 OD COMP QUARTER TURN STRAIGHT STOP (SUBMITTAL)		DRAWING NO. VPA1065A						
DRAWN KLIMKIE	DATE: 04/17/2006	MATERIAL	ITEM DESCRIPTION G2SC14					
CHK'D. Schutte	DATE: 04/18/2006		VOLUME	ITEM ID G2SC14 C				
APP'D.	DATE:	UNITS INCH		SCALE: (UNLESS NOTED) FULL	REV. A			
NOTE: UNLESS OTHERWISE SPECIFIED TWO PLACE DECIMALS THREE PLACE DECIMALS ANGULARITY		<table border="1"> <tr> <td>SIZE</td> <td> <table border="1"> <tr> <td>+/- .010</td> <td rowspan="3">A</td> </tr> <tr> <td>+/- .005</td> </tr> <tr> <td>+/- 0° 30'</td> </tr> </table> </td> </tr> </table>	SIZE	<table border="1"> <tr> <td>+/- .010</td> <td rowspan="3">A</td> </tr> <tr> <td>+/- .005</td> </tr> <tr> <td>+/- 0° 30'</td> </tr> </table>	+/- .010	A	+/- .005	+/- 0° 30'
SIZE	<table border="1"> <tr> <td>+/- .010</td> <td rowspan="3">A</td> </tr> <tr> <td>+/- .005</td> </tr> <tr> <td>+/- 0° 30'</td> </tr> </table>	+/- .010	A	+/- .005	+/- 0° 30'			
+/- .010	A							
+/- .005								
+/- 0° 30'								

This drawing and all data contained herein is the confidential and exclusive property of BrassCraft Manufacturing, and shall not be disclosed to others without the written consent of BrassCraft. This drawing must be returned to BrassCraft if requested.