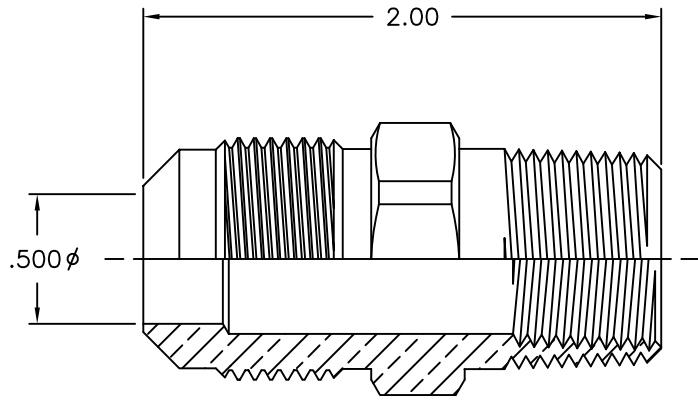
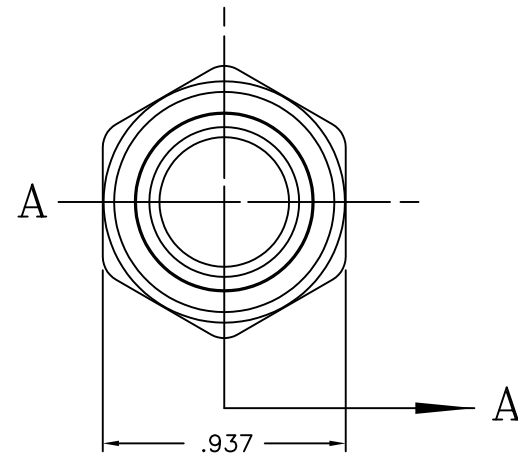



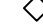
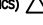

LET.	DATE	PER	BY	CHANGE
A	2/27/04	JPS	KAK	RELEASE



SECTION A-A



This drawing and all data contained herein is the confidential and exclusive property of BrassCraft Manufacturing, and shall not be disclosed to others without the written consent of BrassCraft. This drawing must be returned to BrassCraft if requested.

 BrassCraft [®] A Masco Company NOVI, MICHIGAN ALL GDT PER ANSI STD Y14.5M CLASSIFICATION OF QUALITY LEVELS	DESCRIPTION 5/8 OD FLARE X 1/2 MIP (TAPPED 3/8 FIP) UNION - SUBMITTAL		DRAWING NO. GPU0333A		
	DRAWN KLIMKIE 02/27/2004	DATE: 02/27/2004	MATERIAL	ITEM DESCRIPTION MAU2-10-8	
	CHK'D. Schutte 02/27/2004	DATE: 02/27/2004	VOLUME	ITEM ID MAU2-10-8 B	
	KPC (KEY PRODUCT CHARACTERISTICS) 	CLASS	APP'D.	DATE:	NOTE: UNLESS OTHERWISE SPECIFIED TWO PLACE DECIMALS +/- .010 THREE PLACE DECIMALS +/- .005 ANGULARITY +/- 1°
STPC (STANDARD PRODUCT CHARACTERISTICS) 	PRODUCT MARKINGS 	UNITS INCH	SCALE: FULL	REV. A	