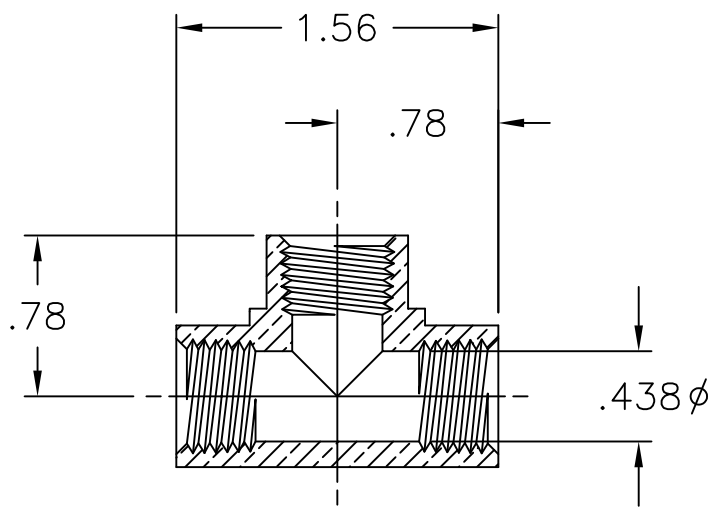
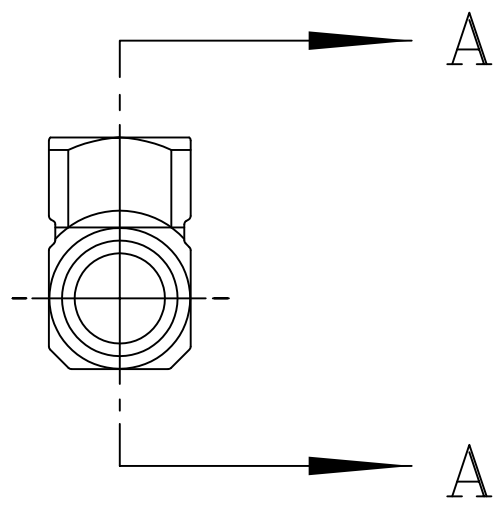


LET.	DATE	PER	BY	CHANGE
A	8/13/04	KAK	MJP	RELEASE



SECTION A-A



NOVI, MICHIGAN

ALL GDT PER ANSI STD Y14.5M
CLASSIFICATION OF QUALITY LEVELS

CLASS	SYMBOL
KPC (KEY PRODUCT CHARACTERISTICS)	◇
STPC (STANDARD PRODUCT CHARACTERISTICS)	△
PRODUCT MARKINGS	○

DESCRIPTION
1/4 FIP X 1/4 FIP PIPE TEE
(SUBMITTAL)

DRAWN PERNAK	DATE: 8/13/04	MATERIAL
CHK'D. Klimkie	DATE: 08/13/2004	
APP'D.	DATE:	VOLUME

DRAWING NO.
PFE0098A

ITEM DESCRIPTION
203-4

ITEM ID
203-4 B

This drawing and all data contained herein is the confidential and exclusive property of BrassCraft Manufacturing, and shall not be disclosed to others without the written consent of BrassCraft. This drawing must be returned to BrassCraft if requested.

NOTE: UNLESS OTHERWISE SPECIFIED
TWO PLACE DECIMALS +/- .010
THREE PLACE DECIMALS +/- .005
ANGULARITY +/- 1°

A
SIZE

UNITS
INCH

SCALE:
(UNLESS NOTED)
FULL

REV.
A