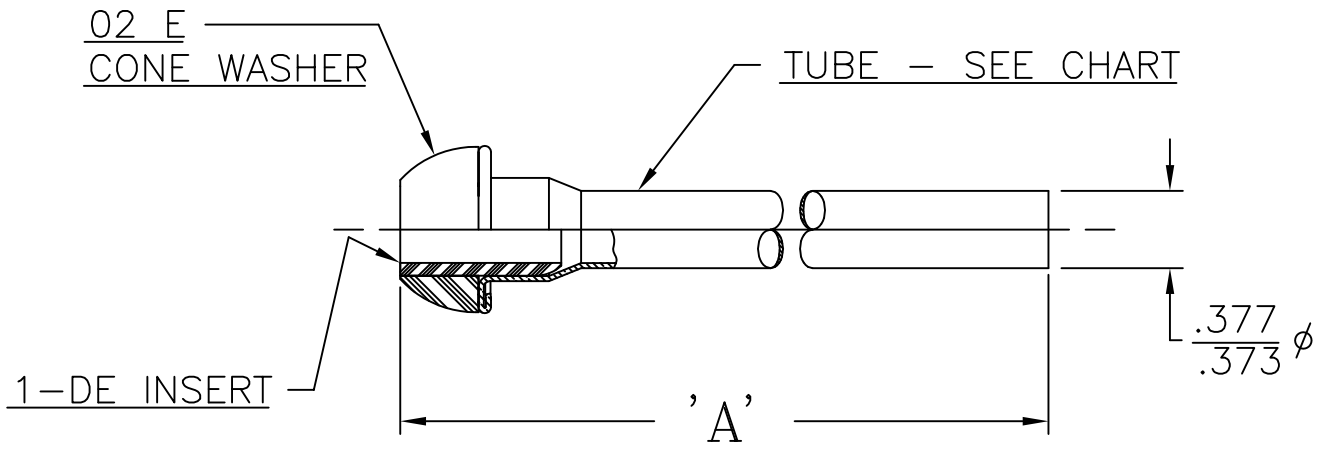


LET.	DATE	PER	BY	CHANGE
A	6/7/04	WFT	MJP	RELEASE



ITEM I.D.	ITEM DESC.	LENGTH 'A'	FINISH
1-12DE A	1-12DE	11.81	ANTIQUÉ
1-12DE C	1-12DE	11.81	CHROME
1-12DE P	1-12DE	11.81	POLISHED BRASS
1-20DE A	1-20DE	19.81	ANTIQUÉ
1-20DE C	1-20DE	19.81	CHROME
1-20DE P	1-20DE	19.81	POLISHED BRASS
1-30DE C	1-30DE	29.81	CHROME



NOVI, MICHIGAN

ALL GDT PER ANSI STD Y14.5M
CLASSIFICATION OF QUALITY LEVELS

CLASS	SYMBOL
KPC (KEY PRODUCT CHARACTERISTICS)	◇
STPC (STANDARD PRODUCT CHARACTERISTICS)	△
PRODUCT MARKINGS	○

DESCRIPTION
"DE" SERIES RISERS ASSEMBLY
(SUBMITTAL)

DRAWN DATE:
PERNAK 06/07/2004

CHK'D. DATE:
Klimkie 06/07/2004

APP'D. DATE:

MATERIAL

VOLUME

NOTE: UNLESS OTHERWISE SPECIFIED
TWO PLACE DECIMALS +/-.010
THREE PLACE DECIMALS +/-.005
ANGULARITY +/-1°



SIZE

DRAWING NO.
RPA0091A

ITEM DESCRIPTION
1-12DE
SEE CHART

ITEM ID
1-12DE A
SEE CHART

UNITS
INCH

SCALE:
(UNLESS NOTED)
FULL

REV.
A

This drawing and all data contained herein is the confidential and exclusive property of BrassCraft Manufacturing, and shall not be disclosed to others without the written consent of BrassCraft. This drawing must be returned to BrassCraft if requested.