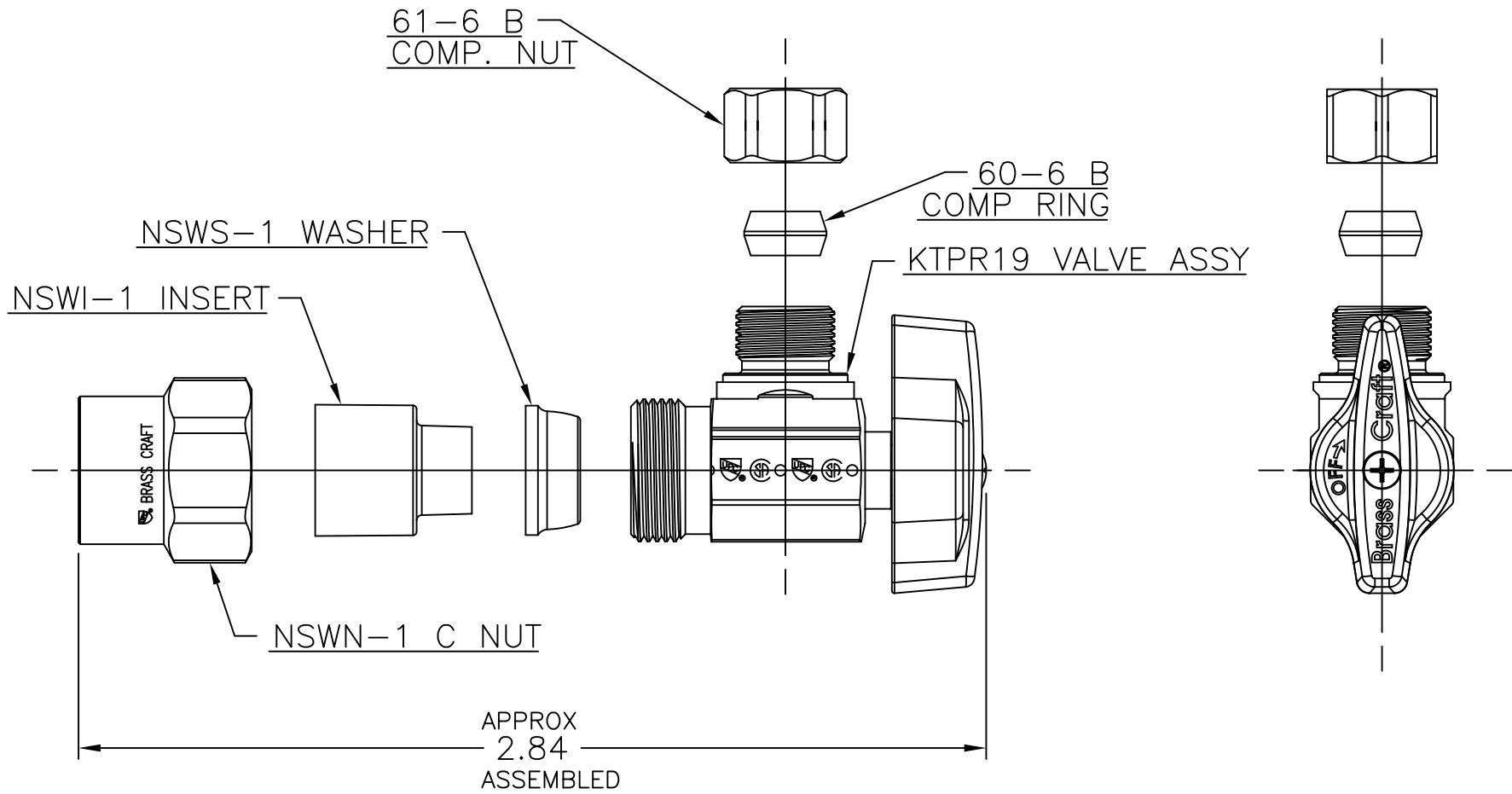


LET.	DATE	PER	BY	CHANGE
B	8/29/03	WFT	KAK	REVISED & UPDATED



NOVI, MICHIGAN	
ALL GDT PER ANSI STD Y14.5M CLASSIFICATION OF QUALITY LEVELS	
CLASS	SYMBOL
KPC (KEY PRODUCT CHARACTERISTICS)	◇
STPC (STANDARD PRODUCT CHARACTERISTICS)	△
PRODUCT MARKINGS	○

DESCRIPTION 1/2 NOM CPVC X 3/8 OD COMP 1/4 TURN BALL VALVE (SUBMITTAL)		DRAWING NO. VPA0885B	
DRAWN SCHUTTE	DATE: 06/26/2002	MATERIAL	ITEM DESCRIPTION KTPR19
CHK'D. Green	DATE: 09/11/2003		ITEM ID KTPR19 C
APP'D.	DATE:	VOLUME	
NOTE: UNLESS OTHERWISE SPECIFIED		UNITS INCH	REV. B
TWO PLACE DECIMALS +/- .010			
THREE PLACE DECIMALS +/- .005		SCALE: (UNLESS NOTED) FULL	
ANGULARITY +/- 1°			

This drawing and all data contained herein is the confidential and exclusive property of BrassCraft Manufacturing, and shall not be disclosed to others without the written consent of BrassCraft. This drawing must be returned to BrassCraft if requested.