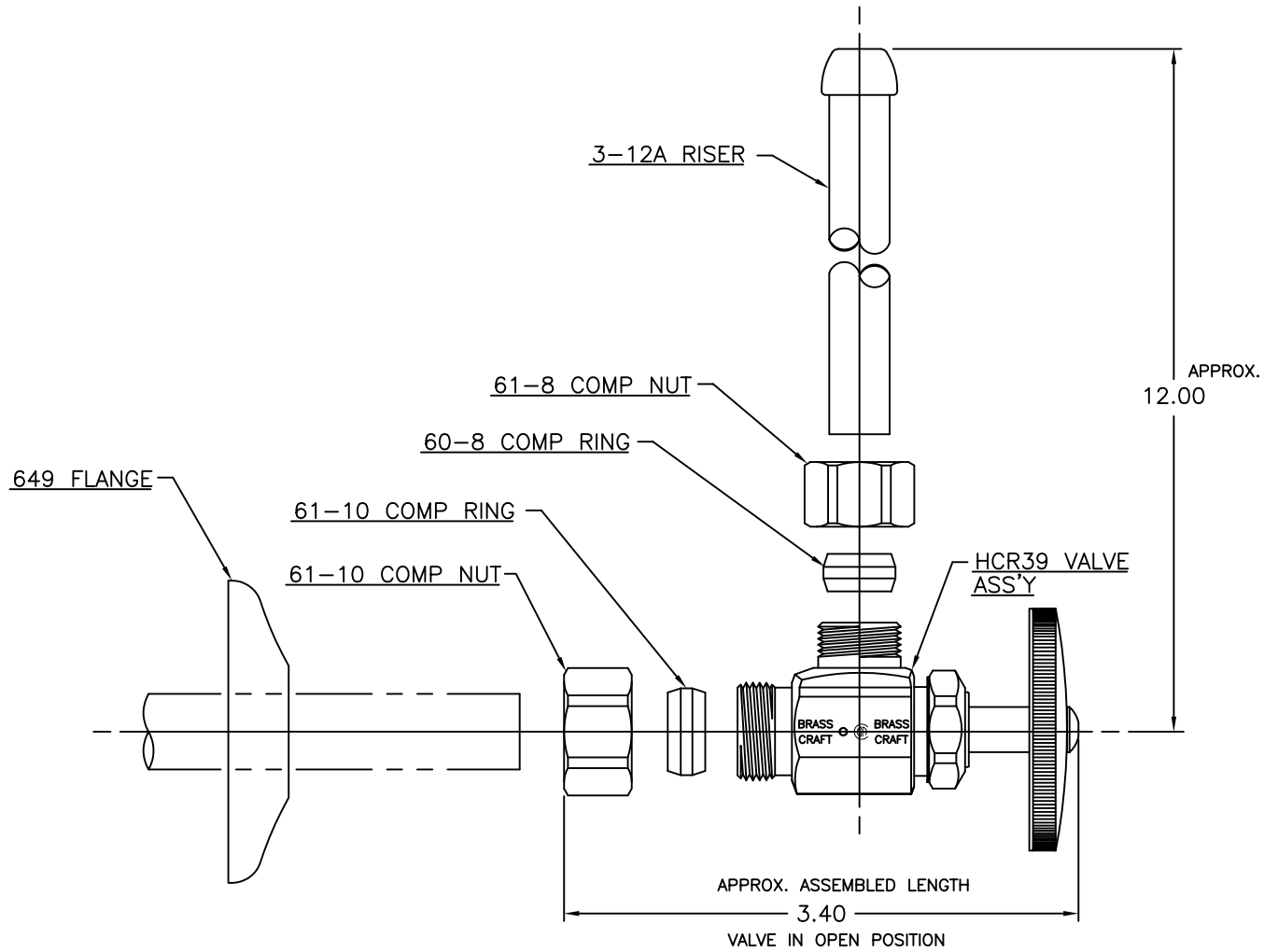






LET.	DATE	PER	BY	CHANGE
C	5/9/03	WFT	MJP	REVISED & UPDATED



 <b>BrassCraft</b> A Masco Company NOVI, MICHIGAN	DESCRIPTION 1/2 NOM COMP X 1/2 OD COMP HVY PTRN VALVE W/RISER (SUBMITTAL)		DRAWING NO. VPA0683C		
	DRAWN PERNAK	DATE: 11/12/2002	MATERIAL	ITEM DESCRIPTION HCR3912AZ	
	CHK'D. Klimkie	DATE: 05/13/2003	VOLUME	ITEM ID HCR3912AZ C	
	ALL GDT PER ANSI STD Y14.5M CLASSIFICATION OF QUALITY LEVELS		APP'D. DATE:	UNITS INCH	
KPC (KEY PRODUCT CHARACTERISTICS) 		NOTE: UNLESS OTHERWISE SPECIFIED TWO PLACE DECIMALS +/- .010 THREE PLACE DECIMALS +/- .005 ANGULARITY +/- 1°		SCALE: (UNLESS NOTED) FULL	
STPC (STANDARD PRODUCT CHARACTERISTICS) 		PRODUCT MARKINGS 		REV. C	

This drawing and all data contained herein is the confidential and exclusive property of BrassCraft Manufacturing, and shall not be disclosed to others without the written consent of BrassCraft. This drawing must be returned to BrassCraft if requested.