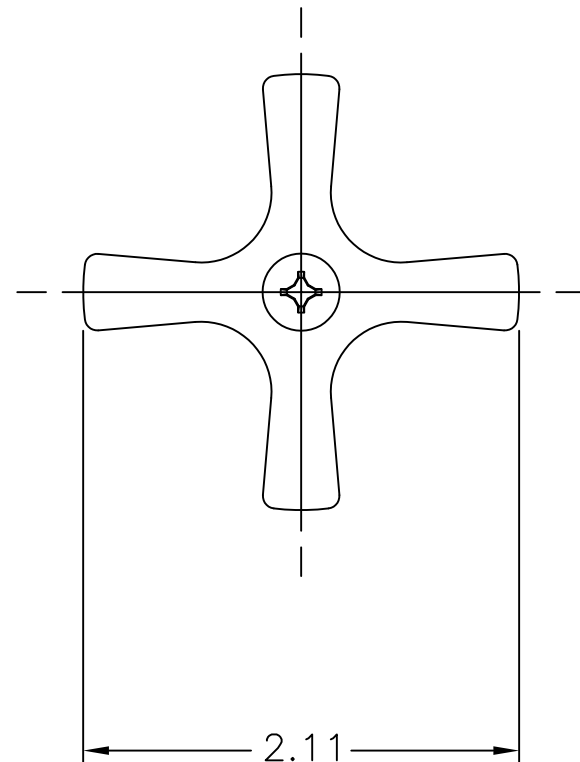
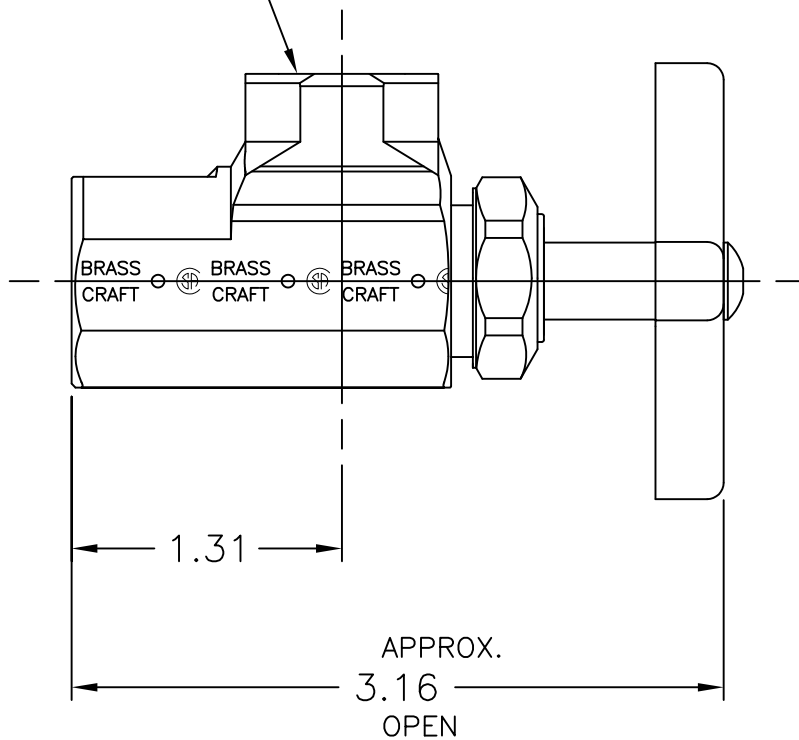


LET.	DATE	PER	BY	CHANGE
B	3/14/03	WFT	MJP	REVISED & UPDATED

HXR87Z VALVE ASS'Y



HANDLE VIEW ONLY



NOVI, MICHIGAN

ALL GDT PER ANSI STD Y14.5M
CLASSIFICATION OF QUALITY LEVELS

CLASS	SYMBOL
KPC (KEY PRODUCT CHARACTERISTICS)	◇
STPC (STANDARD PRODUCT CHARACTERISTICS)	△
PRODUCT MARKINGS	○

DESCRIPTION 1/2 FIP X 1/2 FIP HWY PTRN VALVE W/CROSS HANDLE (SUBMITTAL)		DRAWING NO. VPA0764B	
DRAWN PERNAK	DATE: 3/14/2003	MATERIAL	ITEM DESCRIPTION HXR87Z
CHK'D. Klimkie	DATE: 05/02/2003	VOLUME	ITEM ID HXR87Z C
APP'D.	DATE:	NOTE: UNLESS OTHERWISE SPECIFIED TWO PLACE DECIMALS +/- .010 THREE PLACE DECIMALS +/- .005 ANGULARITY +/- 1°	SCALE: (UNLESS NOTED) FULL
		UNITS INCH	REV. B

This drawing and all data contained herein is the confidential and exclusive property of BrassCraft Manufacturing, and shall not be disclosed to others without the written consent of BrassCraft. This drawing must be returned to BrassCraft if requested.