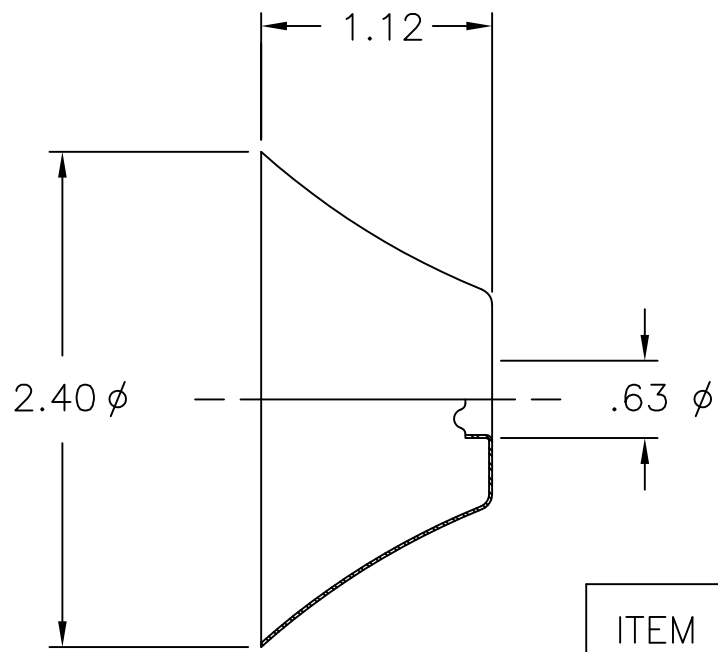
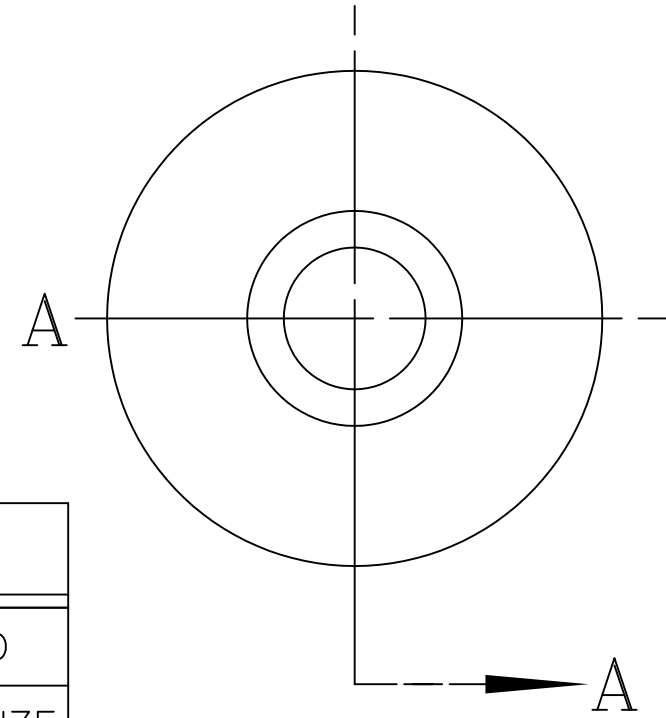


LET.	DATE	PER	BY	CHANGE
B	6/20/06	JPS	KAK	REVISED & UPDATED



SECTION A-A



ITEM ID	FINISH
654 C	CHROME PLATED
654 BZ	OIL RUBBED BRONZE
654 NS	SATIN NICKEL
654 P	POLISHED BRASS



NOVI, MICHIGAN

ALL GDT PER ANSI STD Y14.5M
CLASSIFICATION OF QUALITY LEVELS

CLASS	SYMBOL
KPC (KEY PRODUCT CHARACTERISTICS)	◇
STPC (STANDARD PRODUCT CHARACTERISTICS)	△
PRODUCT MARKINGS	○

DESCRIPTION
1/2 NOM. BELL FLANGE
(SUBMITTAL)

DRAWN
KLIMKIE 08/05/2003

CHK'D.
Schutte 06/20/2006

APP'D.
DATE:

MATERIAL

VOLUME

DRAWING NO.
MPG0138B

ITEM DESCRIPTION
654

ITEM ID
654 C
SEE CHART

This drawing and all data contained herein is the confidential and exclusive property of BrassCraft Manufacturing, and shall not be disclosed to others without the written consent of BrassCraft. This drawing must be returned to BrassCraft if requested.

NOTE: UNLESS OTHERWISE SPECIFIED
TWO PLACE DECIMALS +/- .010
THREE PLACE DECIMALS +/- .005
ANGULARITY +/- 1°

A
SIZE

UNITS
INCH

SCALE:
(UNLESS NOTED)
FULL

REV.
B