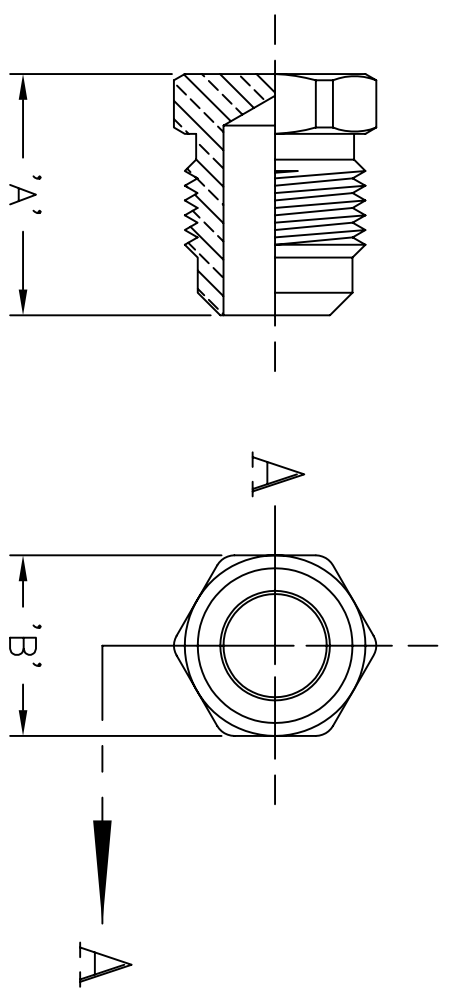


LET.	DATE	PER	BY	CHANGE
A	3/28/05	KAK	MJP	RELEASE

ITEM ID	TUBE SIZE	STRAIGHT THREAD	DIM 'A'	DIM 'B'
39-4 B	1/4	7/16-20	.67	7/16
39-5 B	5/16	1/2-20	.78	1/2
39-6 B	3/8	5/8-18	.86	5/8
39-8 B	1/2	3/4-16	1.05	3/4
39-10 B	5/8	7/8-14	1.17	7/8



ALL GDT PER ANSI STD Y14.5M
CLASSIFICATION OF QUALITY LEVELS

CLASS SYMBOL
KPC (KEY PRODUCT CHARACTERISTICS)
STPC(STANDARD PRODUCT CHARACTERISTICS)
PRODUCT MARKINGS

This drawing and all data contained herein is the confidential and exclusive property of BrassCraft Manufacturing, and shall not be disclosed to others without the written consent of BrassCraft. This drawing must be returned to BrassCraft if requested.

DESCRIPTION	FLARE PLUG (SUBMITTAL)		DRAWING NO.	FFP0077A
DRAWN	DATE:	MATERIAL	ITEM DESCRIPTION	39-4
PERNAK	3/28/05			
CHK'D.	DATE:	VOLUME	ITEM ID	39-4 B
Kirmkie	03/29/2005		SEE CHART	
APP'D.	DATE:			
NOTE: UNLESS OTHERWISE SPECIFIED TWO PLACE DECIMALS THREE PLACE DECIMALS ANGULARITY		+	UNITS	SCALE: (UNLESS NOTED)
		/- .010	A	FULL
		+/- .005	INCH	REV.
		+/- .1"	SIZE	A