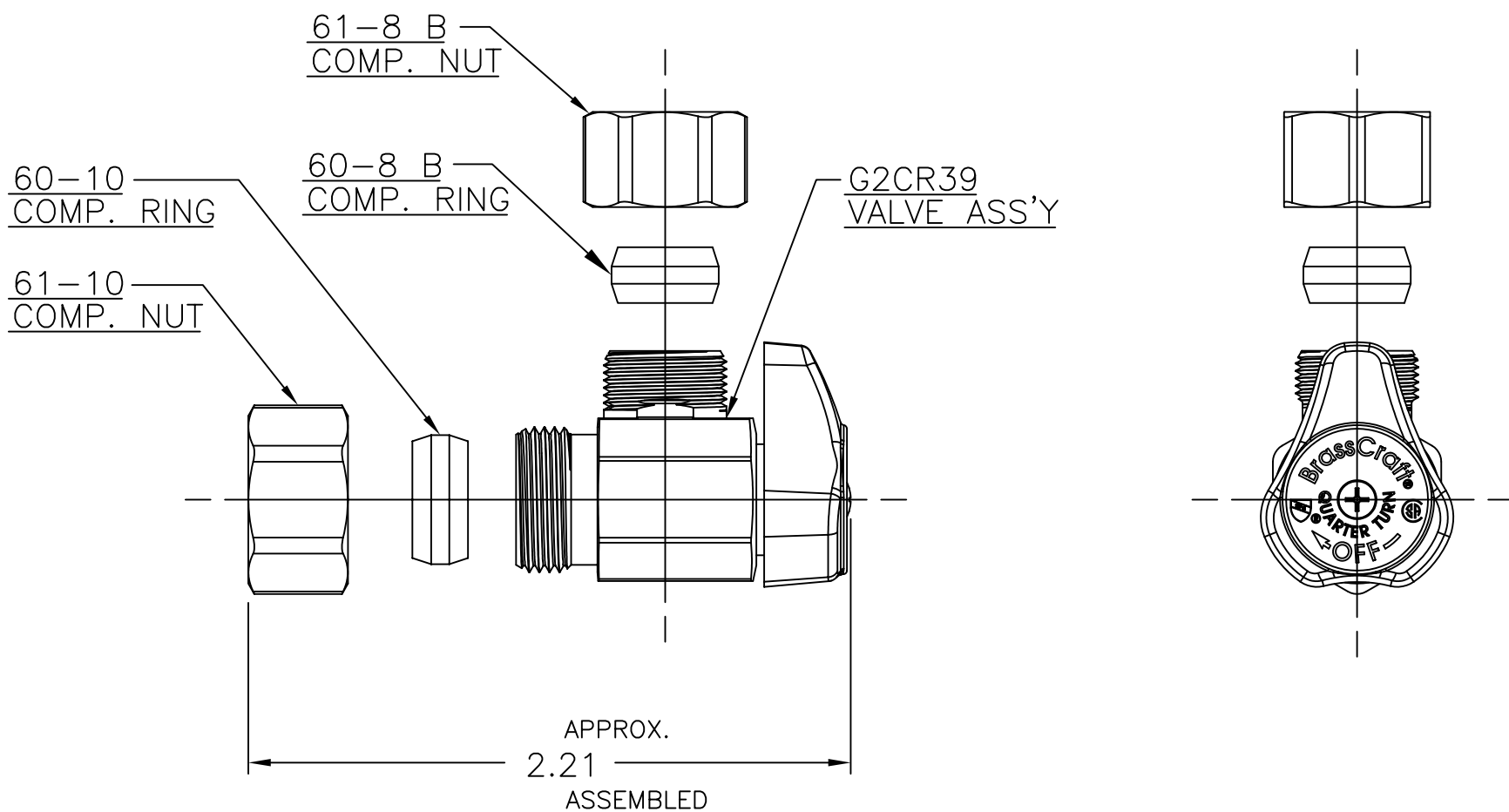


LET.	DATE	PER	BY	CHANGE
A	03/19/07	JPS	KAK	RELEASE



ITEM I.D.	
ROUGH	CHROME
G2CR39 R	G2CR39 C



DESCRIPTION 1/2 NOM COMP X 1/2 OD COMP QUARTER TURN ANGLE STOP (SUBMITTAL)		DRAWING NO. VPA1093A	
DRAWN KLIMKIE	DATE: 03/19/2007	MATERIAL	ITEM DESCRIPTION G2CR39
CHK'D. Schutte	DATE: 03/20/2007	VOLUME	ITEM ID G2CR39 C SEE CHART
APP'D.	DATE:	UNITS INCH	SCALE: (UNLESS NOTED) FULL
NOTE: UNLESS OTHERWISE SPECIFIED TWO PLACE DECIMALS +/- .010 THREE PLACE DECIMALS +/- .005 ANGULARITY +/- 1°		SIZE A	REV. A

This drawing and all data contained herein is the confidential and exclusive property of BrassCraft Manufacturing, and shall not be disclosed to others without the written consent of BrassCraft. This drawing must be returned to BrassCraft if requested.

ALL GDT PER ANSI STD Y14.5M CLASSIFICATION OF QUALITY LEVELS	SYMBOL
KPC (KEY PRODUCT CHARACTERISTICS)	◇
STPC (STANDARD PRODUCT CHARACTERISTICS)	△
PRODUCT MARKINGS	○