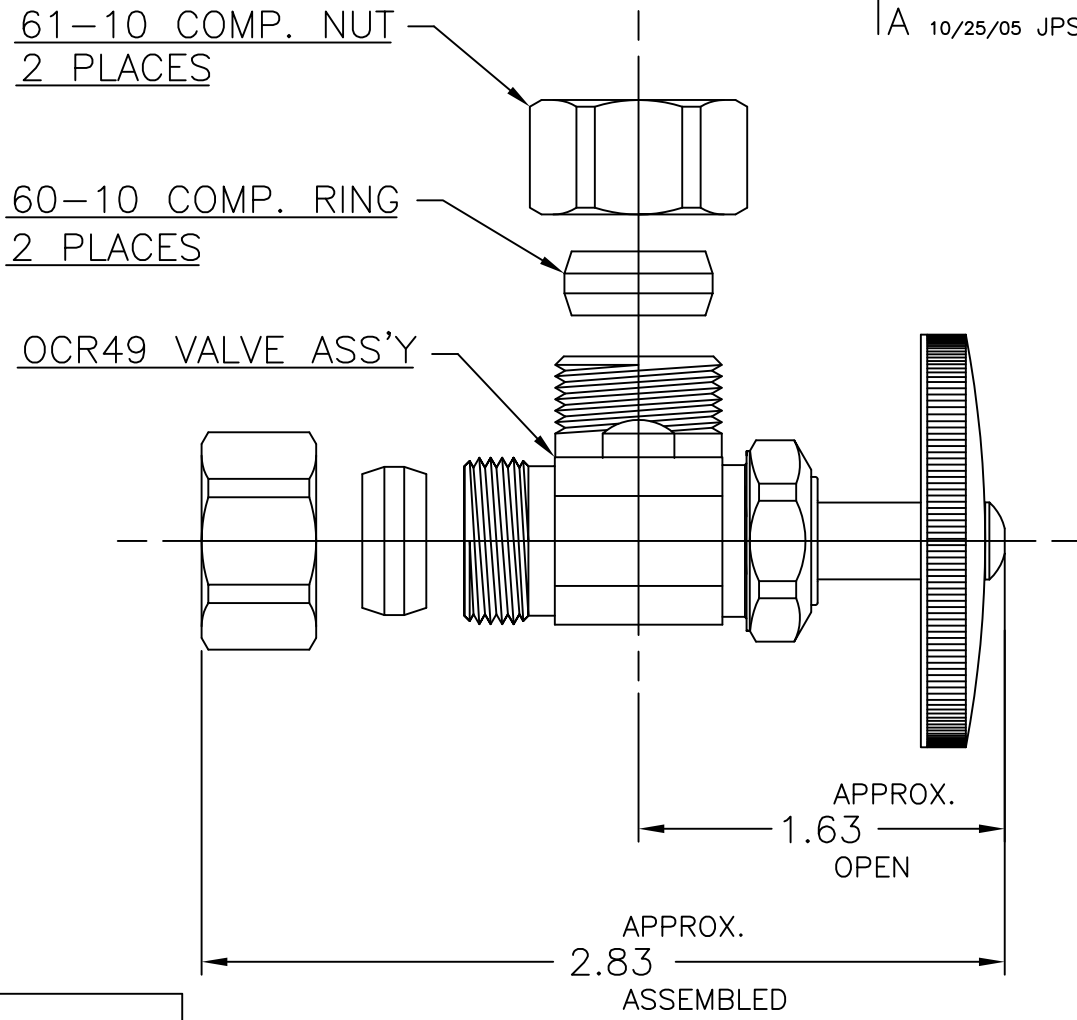


LET.	DATE	PER	BY	CHANGE
------	------	-----	----	--------

A 10/25/05 JPS KAK RELEASED



ITEM I.D.	
ROUGH	CHROME
OCR49 R	OCR49 C
	OCR49Z C



NOVI, MICHIGAN

ALL GDT PER ANSI STD Y14.5M
CLASSIFICATION OF QUALITY LEVELS

CLASS	SYMBOL
KPC (KEY PRODUCT CHARACTERISTICS)	◇
STPC (STANDARD PRODUCT CHARACTERISTICS)	△
PRODUCT MARKINGS	○

DESCRIPTION
1/2 NOM COMP X 5/8 OD COMP
VALVE BODY (SUBMITTAL)

DRAWN DATE: MATERIAL
KLIMKIE 10/25/2005

CHK'D. DATE: VOLUME
Pernak 10/25/2005

APP'D. DATE:

NOTE: UNLESS OTHERWISE SPECIFIED
TWO PLACE DECIMALS +/- .010
THREE PLACE DECIMALS +/- .005
ANGULARITY +/- 1°

DRAWING NO.
VPA1038A

ITEM DESCRIPTION
OCR49

ITEM ID
OCR49 C
SEE CHART

This drawing and all data contained herein is the confidential and exclusive property of BrassCraft Manufacturing, and shall not be disclosed to others without the written consent of BrassCraft. This drawing must be returned to BrassCraft if requested.

A SIZE	UNITS	SCALE: (UNLESS NOTED)	REV.
	INCH	FULL	A