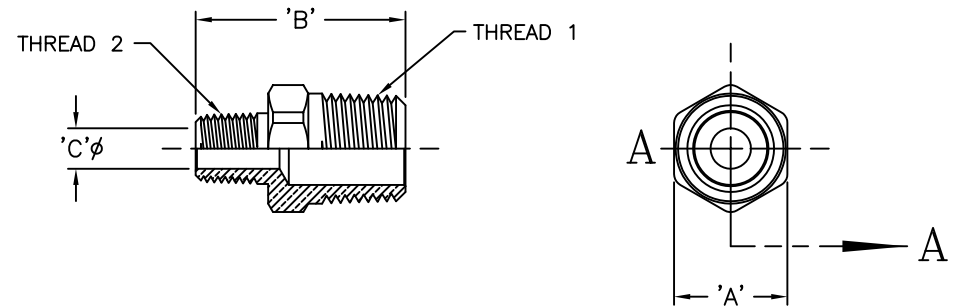


LET.	DATE	PER	BY	CHANGE
A	12/20/05	KAK	MJP	RELEASE

ITEM I.D.	PIPE THREAD		DIM 'A'	DIM 'B'	DIM 'C'
	1	2			
PHN-2 B	1/8	1/8	7/16	.97	.219
PHN-4-2 B	1/4	1/8	9/16	1.19	.219
PHN-4 B	1/4	1/4	9/16	1.38	.312
PHN-6-2 B	3/8	1/8	11/16	1.22	.219
PHN-6-4 B	3/8	1/4	11/16	1.41	.312
PHN-6 B	3/8	3/8	11/16	1.41	.438
PHN-8-4 B	1/2	1/4	7/8	1.62	.310
PHN-8-6 B	1/2	3/8	7/8	1.62	.438
PHN-8 B	1/2	1/2	7/8	1.81	.562
** PHN-12 B	3/4	3/4	1-1/16	1.56	.755




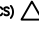



**

NOTE:

ITEM MARKED WITH ** IS NON SAE.

This drawing and all data contained herein is the confidential and exclusive property of BrassCraft Manufacturing, and shall not be disclosed to others without the written consent of BrassCraft. This drawing must be returned to BrassCraft if requested.

 A Masco Company NOVI, MICHIGAN		DESCRIPTION		DRAWING NO.		
		MIP X MIP STRAIGHT/REDUCING HEX NIPPLE SERIES (SUBMITTAL)		PFG0050A		
DRAWN		DATE:	MATERIAL	ITEM DESCRIPTION		
PERNAK		12/20/2005		PHN-2		
CHK'D.		DATE:	VOLUME	ITEM ID		
Klimkie		12/20/2005		PHN-2 B SEE CHART		
APP'D.		DATE:				
KPC (KEY PRODUCT CHARACTERISTICS) 		NOTE: UNLESS OTHERWISE SPECIFIED		 UNITS INCH	SCALE: (UNLESS NOTED) FULL	REV. A
STPC (STANDARD PRODUCT CHARACTERISTICS) 		TWO PLACE DECIMALS				
PRODUCT MARKINGS 		THREE PLACE DECIMALS				
		ANGULARITY				