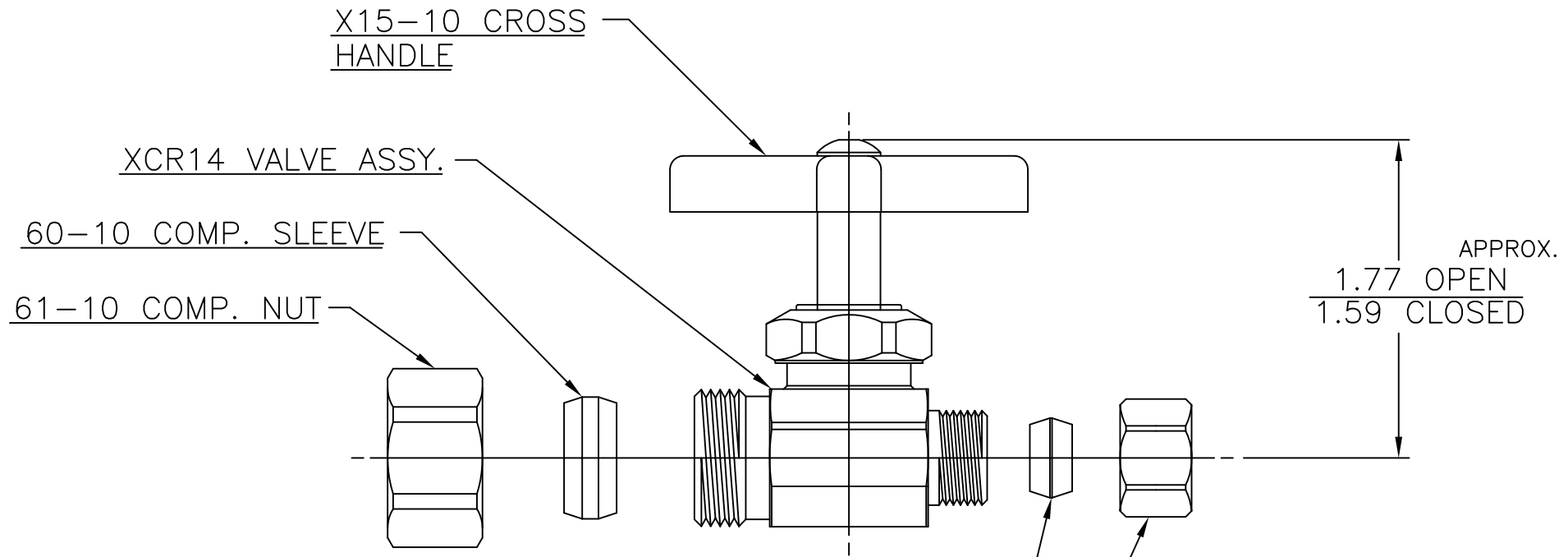


LET.	DATE	PER	BY	CHANGE
B	2/25/03	WFT	MJP	REVISED & UPDATED



ITEM ID	FINISH
XCR14 BRL	BRILLIANCE
XCR14 C	CHROME



NOVI, MICHIGAN

ALL GDT PER ANSI STD Y14.5M
CLASSIFICATION OF QUALITY LEVELS

CLASS	SYMBOL
KPC (KEY PRODUCT CHARACTERISTICS)	◇
STPC (STANDARD PRODUCT CHARACTERISTICS)	△
PRODUCT MARKINGS	○

DESCRIPTION 1/2 NOM COMP X 3/8 OD COMP STRT VALVE W/CROSS HANDLE (SUBMITTAL)	
DRAWN PERNAK	DATE: 11/19/2002
CHK'D. Klimkie	DATE: 04/04/2003
APP'D.	DATE:
NOTE: UNLESS OTHERWISE SPECIFIED TWO PLACE DECIMALS +/- .010 THREE PLACE DECIMALS +/- .005 ANGULARITY +/- 1°	

DRAWING NO. VPA0906B
ITEM DESCRIPTION XCR14
ITEM ID XCR14 BRL SEE CHART
UNITS INCH
SCALE: (UNLESS NOTED) FULL
REV. B

This drawing and all data contained herein is the confidential and exclusive property of BrassCraft Manufacturing, and shall not be disclosed to others without the written consent of BrassCraft. This drawing must be returned to BrassCraft if requested.