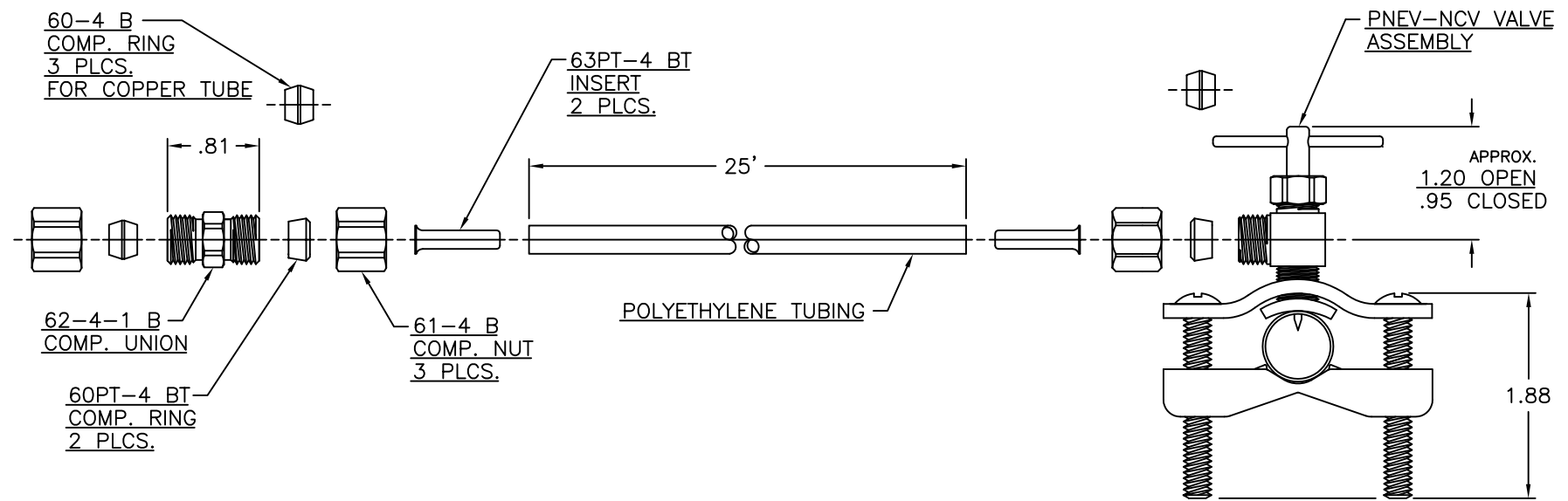



LET.	DATE	PER	BY	CHANGE
B	9/17/03	ROL	KAK	REVISED & UPDATED



 <b>BrassCraft</b> A Masco Company NOVI, MICHIGAN	DESCRIPTION		DRAWING NO.		
	NEEDLE VALVE KIT SELF-PIERCING (SUBMITTAL)		VPA0894B		
	DRAWN	DATE:	MATERIAL	ITEM DESCRIPTION	
	KLIMKIE	9/17/2003		BC96	
CHK'D.	DATE:	VOLUME	ITEM ID		
Schutte	09/17/2003		BC96		
APP'D.	DATE:				
ALL GDT PER ANSI STD Y14.5M CLASSIFICATION OF QUALITY LEVELS		NOTE: UNLESS OTHERWISE SPECIFIED TWO PLACE DECIMALS    +/- .010 THREE PLACE DECIMALS    +/- .005 ANGULARITY    +/- 1°	UNITS INCH	SCALE: (UNLESS NOTED) FULL	REV. B
KPC (KEY PRODUCT CHARACTERISTICS)    ◊ STPC (STANDARD PRODUCT CHARACTERISTICS)    △ PRODUCT MARKINGS    ○		SIZE B			

This drawing and all data contained herein is the confidential and exclusive property of BrassCraft Manufacturing, and shall not be disclosed to others without the written consent of BrassCraft. This drawing must be returned to BrassCraft if requested.