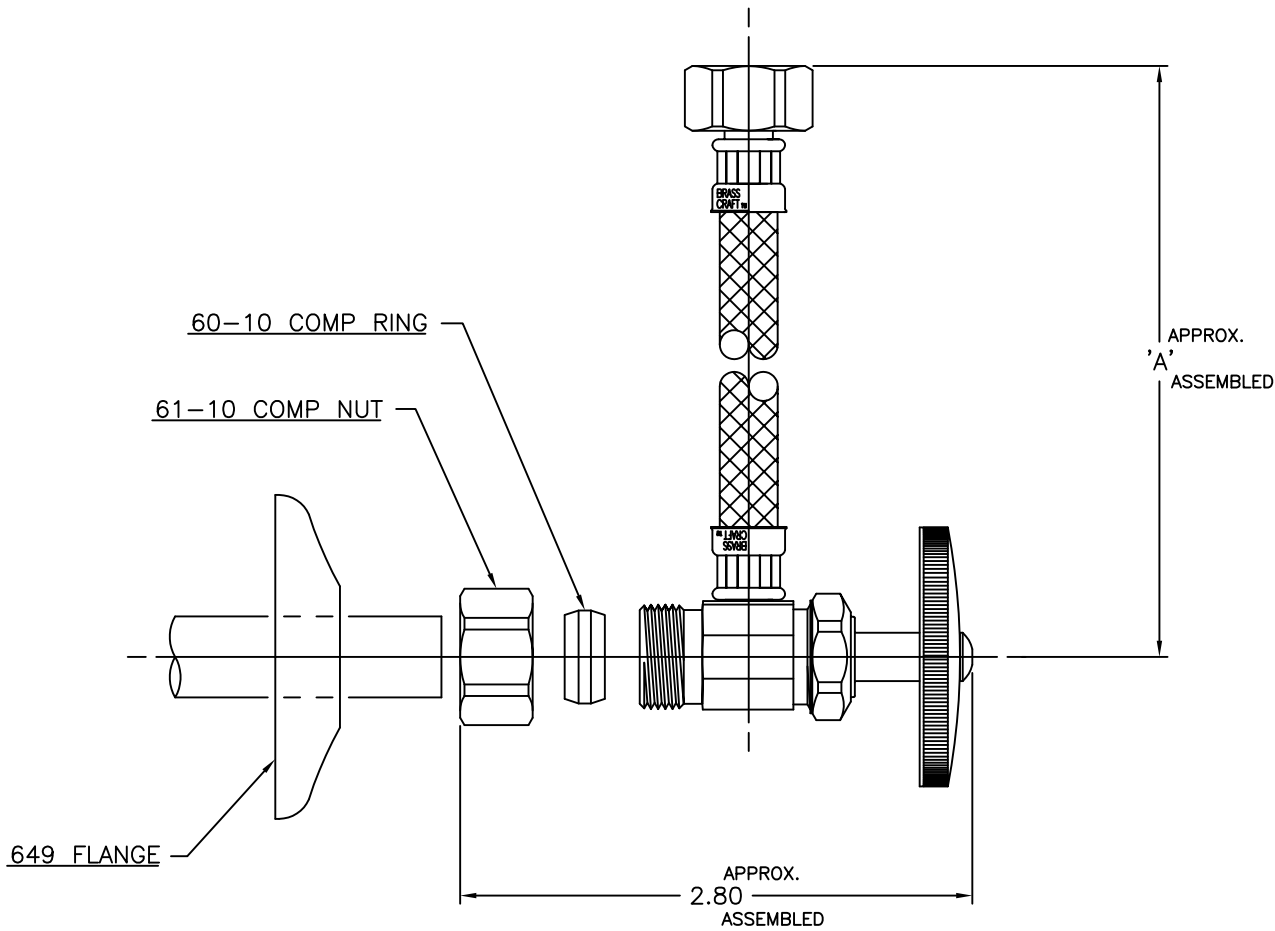


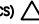



LET.	DATE	PER	BY	CHANGE
D	8/8/03	WFT	MJP	REVISED & UPDATED



ITEM I.D.	ITEM DESC.	LENGTH 'A'
OCR19V160A C	OCR19V160A	16.50/17.50
OCR19V200A C	OCR19V200A	20.50/21.50

 <b>BrassCraft</b> A Masco Company NOVI, MICHIGAN	DESCRIPTION 1/2 NOM COMP X 1/2 FIP VINYL FAUCET RISER (SUBMITTAL)		DRAWING NO. VPA0892D		
	DRAWN PERNAK 08/29/2002	DATE: 08/29/2002	MATERIAL	ITEM DESCRIPTION OCR19V160A SEE CHART	
	CHK'D. Klimkie 08/08/2003	DATE: 08/08/2003	VOLUME	ITEM ID OCR19V160A C SEE CHART	
	ALL GDT PER ANSI STD Y14.5M CLASSIFICATION OF QUALITY LEVELS		APP'D. DATE:	UNITS INCH	
KPC (KEY PRODUCT CHARACTERISTICS) 		NOTE: UNLESS OTHERWISE SPECIFIED TWO PLACE DECIMALS +/- .010 THREE PLACE DECIMALS +/- .005 ANGULARITY +/- 1°		SCALE: (UNLESS NOTED) FULL	
STPC (STANDARD PRODUCT CHARACTERISTICS) 		PRODUCT MARKINGS 		REV. D	

This drawing and all data contained herein is the confidential and exclusive property of BrassCraft Manufacturing, and shall not be disclosed to others without the written consent of BrassCraft. This drawing must be returned to BrassCraft if requested.