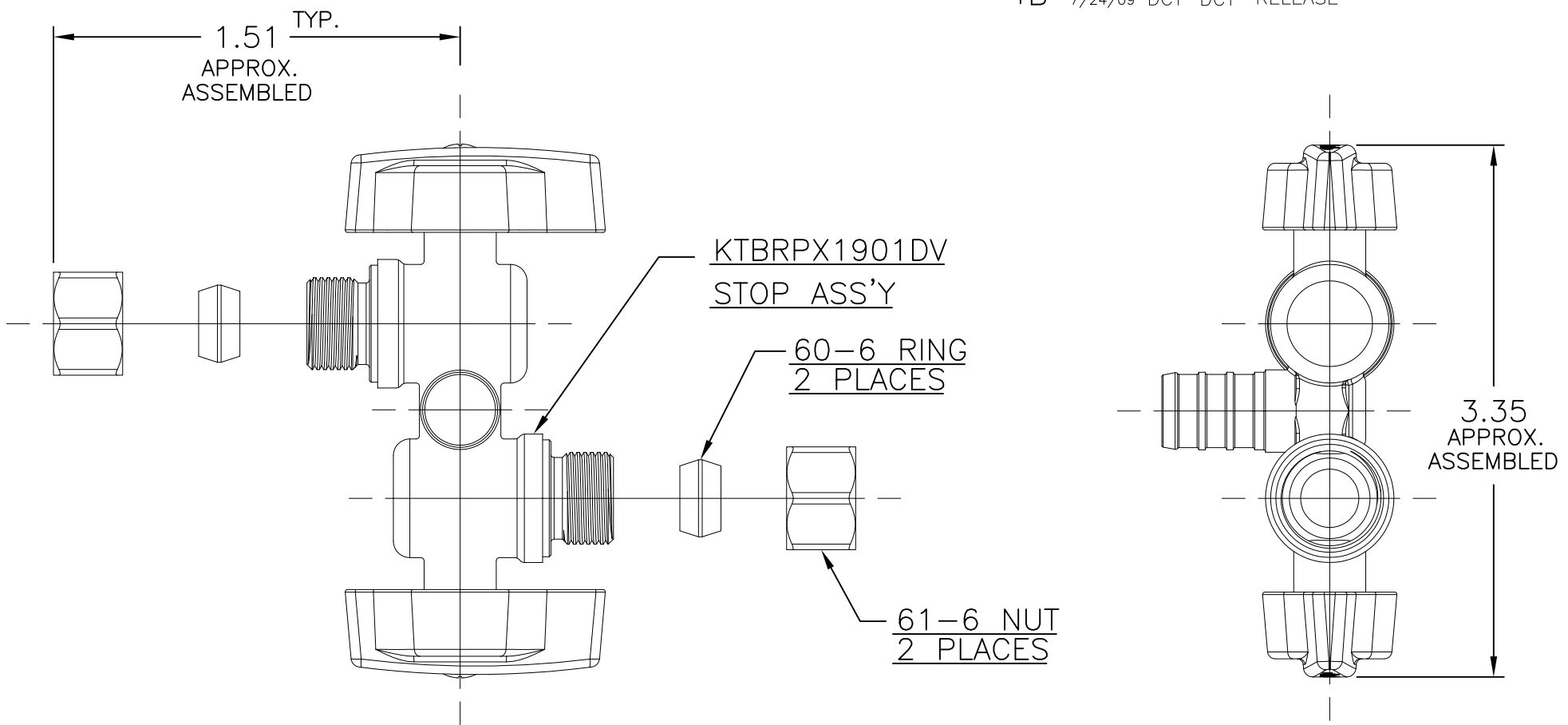


LET.	DATE	PER	BY	CHANGE
------	------	-----	----	--------

B 7/24/09 DCT DCT RELEASE



NOVI, MICHIGAN	
ALL GDT PER ANSI STD Y14.5M CLASSIFICATION OF QUALITY LEVELS	
CLASS	SYMBOL
KPC (KEY PRODUCT CHARACTERISTICS)	◇
STPC (STANDARD PRODUCT CHARACTERISTICS)	△
PRODUCT MARKINGS	○

DESCRIPTION 1/2 NOM PEX X 3/8 OD COMP X 3/8 OD COMP DUAL OUTLET/DUAL SHUT-OFF BALL STOP (SUBMITTAL)		DRAWING NO. VPA1147B		
DRAWN TISCH	DATE: 07/23/2009	MATERIAL	ITEM DESCRIPTION KTBRPX1901DV	
CHK'D. Schutte	DATE: 07/24/2009		ITEM ID KTBRPX1901DV R	
APP'D.	DATE:	VOLUME		
NOTE: UNLESS OTHERWISE SPECIFIED TWO PLACE DECIMALS    +/-.010 THREE PLACE DECIMALS    +/-.005 ANGULARITY    +/-.1°		UNITS INCH	SCALE: (UNLESS NOTED) FULL	REV. B

This drawing and all data contained herein is the confidential and exclusive property of BrassCraft Manufacturing, and shall not be disclosed to others without the written consent of BrassCraft. This drawing must be returned to BrassCraft if requested.