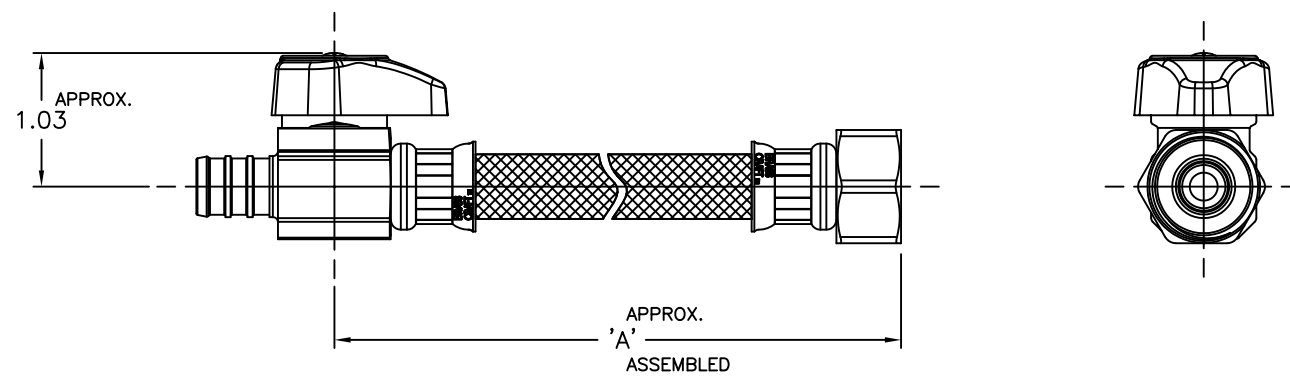



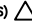


LET.	DATE	PER	BY	CHANGE
A	10/10/07	JPS	KAK	RELEASE



ITEM I.D.	ITEM DESCRIPTION	DIM 'A'
G2BRPX14B120AF CB	G2BRPX14B120AF	12.50/13.50
G2BRPX14B200AF CB	G2BRPX14B200AF	20.50/21.50

This drawing and all data contained herein is the confidential and exclusive property of BrassCraft Manufacturing, and shall not be disclosed to others without the written consent of BrassCraft. This drawing must be returned to BrassCraft if requested.

 A Masco Company NOVI, MICHIGAN ALL GDT PER ANSI STD Y14.5M CLASSIFICATION OF QUALITY LEVELS		DESCRIPTION		DRAWING NO.			
		1/2 NOM PEX X 1/2 FIP FAUCET ONE-PIECE RISER (SUBMITTAL)		VPA1100A			
DRAWN KLIMKIE 10/10/2007	DATE: 10/10/2007	MATERIAL	ITEM DESCRIPTION				
CHK'D. Schutte 10/15/2007	DATE: 10/15/2007		G2BRPX14B120AF SEE CHART				
APP'D.		VOLUME	ITEM ID				
DATE:			G2BRPX14B120AF CB SEE CHART				
KPC (KEY PRODUCT CHARACTERISTICS) 		NOTE: UNLESS OTHERWISE SPECIFIED TWO PLACE DECIMALS +/- .010 THREE PLACE DECIMALS +/- .005 ANGULARITY +/- 1°	 UNITS	SCALE: (UNLESS NOTED)	REV. A		
STPC (STANDARD PRODUCT CHARACTERISTICS) 						INCH	FULL
PRODUCT MARKINGS 