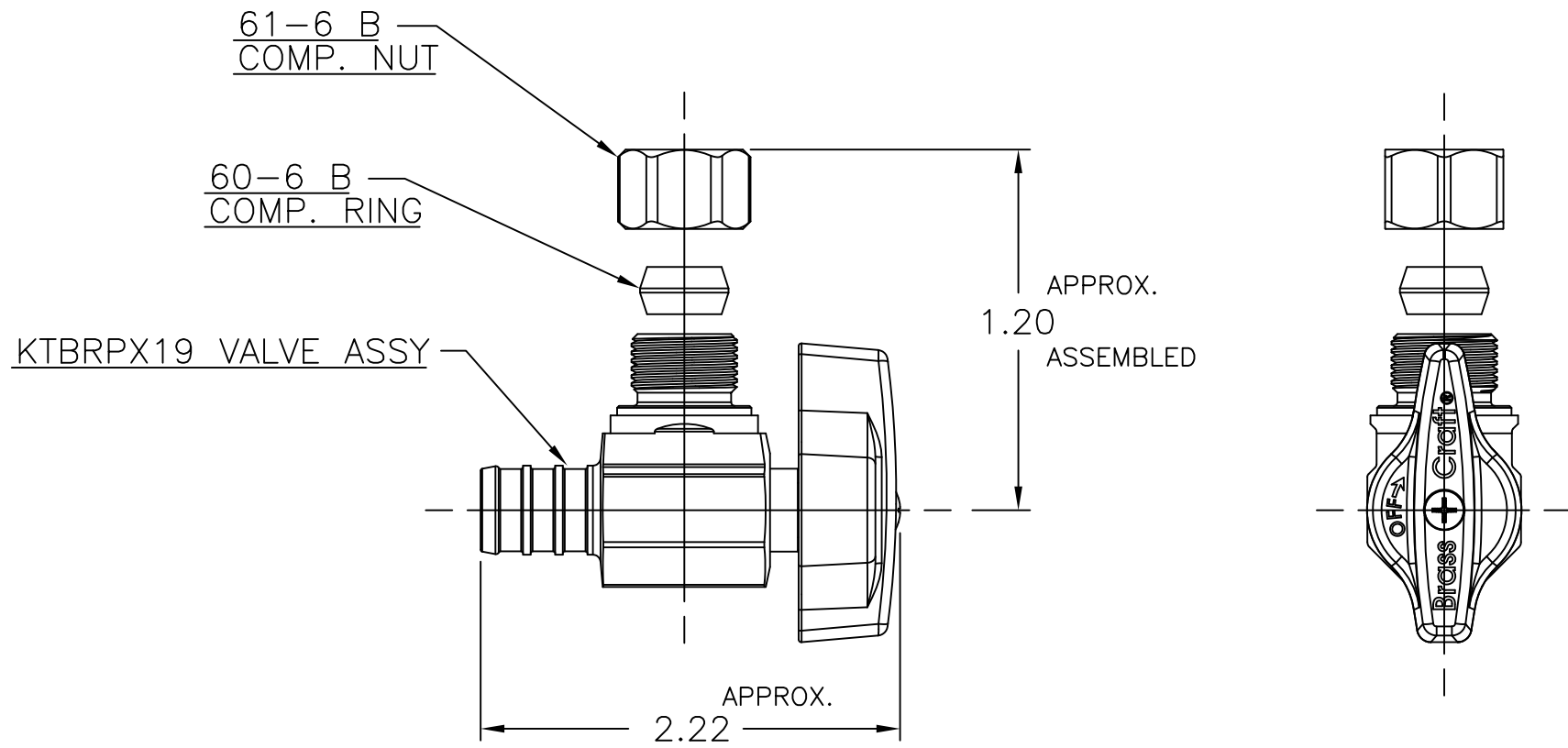



LET.	DATE	PER	BY	CHANGE
A	12/14/05	JPS	MJP	RELEASE



 <b>BrassCraft</b> <sup>®</sup> A Masco Company NOVI, MICHIGAN	DESCRIPTION		DRAWING NO.	
	1/2 PEX X 3/8 OD COMP KWIK TURN BALL STOP ANGLE ASSY (SUBMITTAL)		VPA1043A	
	DRAWN: PERNAK DATE: 12/14/2005	MATERIAL	ITEM DESCRIPTION	
	CHK'D: Schutte DATE: 12/14/2005	VOLUME	KTBRPX19	
APP'D. DATE:		ITEM ID		
		KTBRPX19 C		
ALL GDT PER ANSI STD Y14.5M CLASSIFICATION OF QUALITY LEVELS	NOTE: UNLESS OTHERWISE SPECIFIED TWO PLACE DECIMALS    +/-.010 THREE PLACE DECIMALS    +/-.005 ANGULARITY                    +/-1°	UNITS INCH	SCALE: (UNLESS NOTED) FULL	REV. A
CLASS                      SYMBOL KPC (KEY PRODUCT CHARACTERISTICS)    ◇ STPC (STANDARD PRODUCT CHARACTERISTICS)    △ PRODUCT MARKINGS                              ○	SIZE A			

This drawing and all data contained herein is the confidential and exclusive property of BrassCraft Manufacturing, and shall not be disclosed to others without the written consent of BrassCraft. This drawing must be returned to BrassCraft if requested.