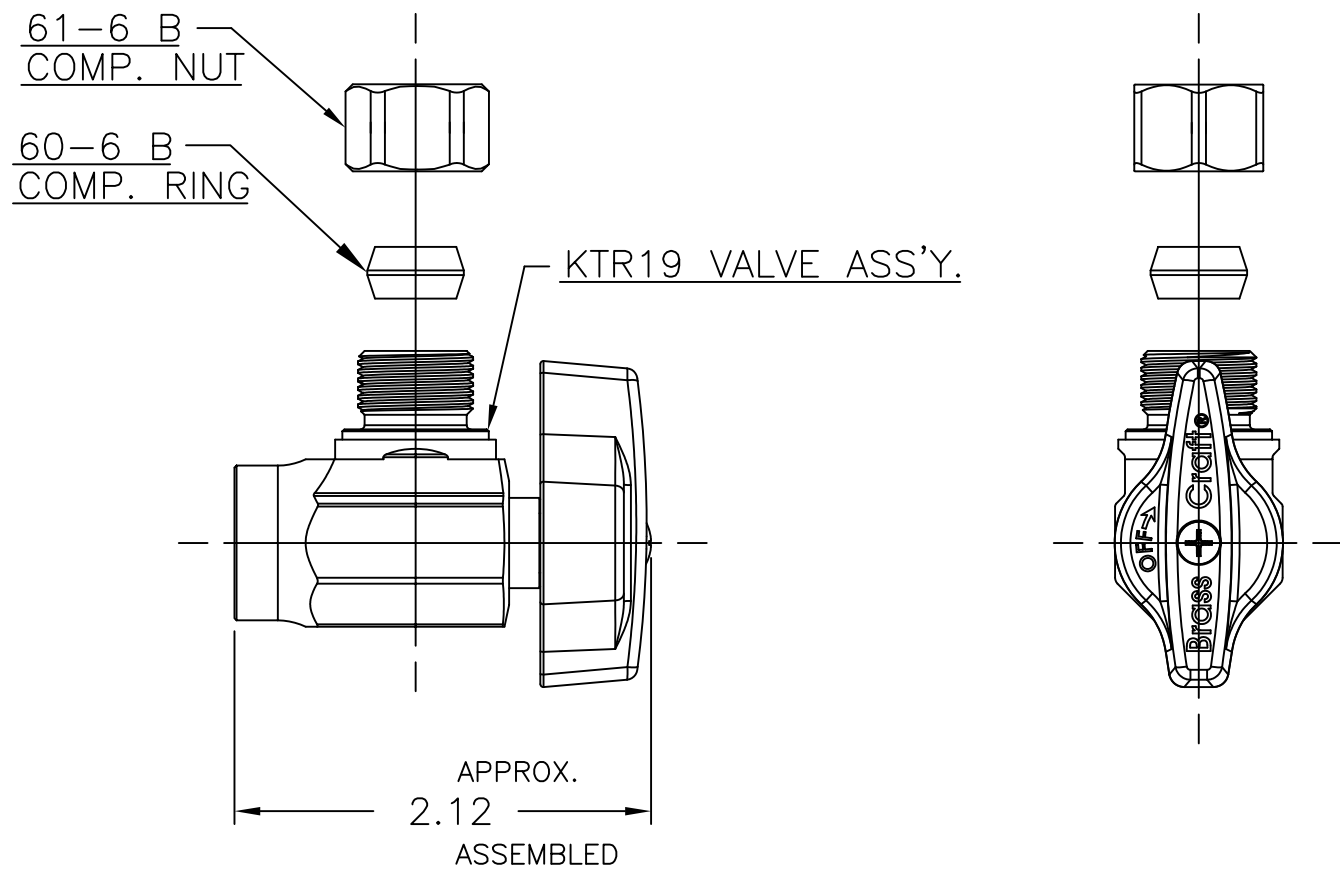


LET.	DATE	PER	BY	CHANGE
B	8/29/03	WFT	KAK	REVISED & UPDATED



NOVI, MICHIGAN	
ALL GDT PER ANSI STD Y14.5M CLASSIFICATION OF QUALITY LEVELS	
CLASS	SYMBOL
KPC (KEY PRODUCT CHARACTERISTICS)	◇
STPC (STANDARD PRODUCT CHARACTERISTICS)	△
PRODUCT MARKINGS	○

DESCRIPTION 1/2 NOM SWT X 3/8 OD COMP 1/4 TURN BALL VALVE (SUBMITTAL)		DRAWING NO. VPA0912B	
DRAWN KLIMKIE	DATE: 02/13/2003	MATERIAL	ITEM DESCRIPTION KTR19
CHK'D. Green	DATE: 09/11/2003	VOLUME	ITEM ID KTR19 C
APP'D.	DATE:	UNITS INCH	SCALE: (UNLESS NOTED) FULL
NOTE: UNLESS OTHERWISE SPECIFIED TWO PLACE DECIMALS THREE PLACE DECIMALS ANGULARITY		SIZE A	REV. B
+/- .010 +/- .005 +/- 1°			

This drawing and all data contained herein is the confidential and exclusive property of BrassCraft Manufacturing, and shall not be disclosed to others without the written consent of BrassCraft. This drawing must be returned to BrassCraft if requested.