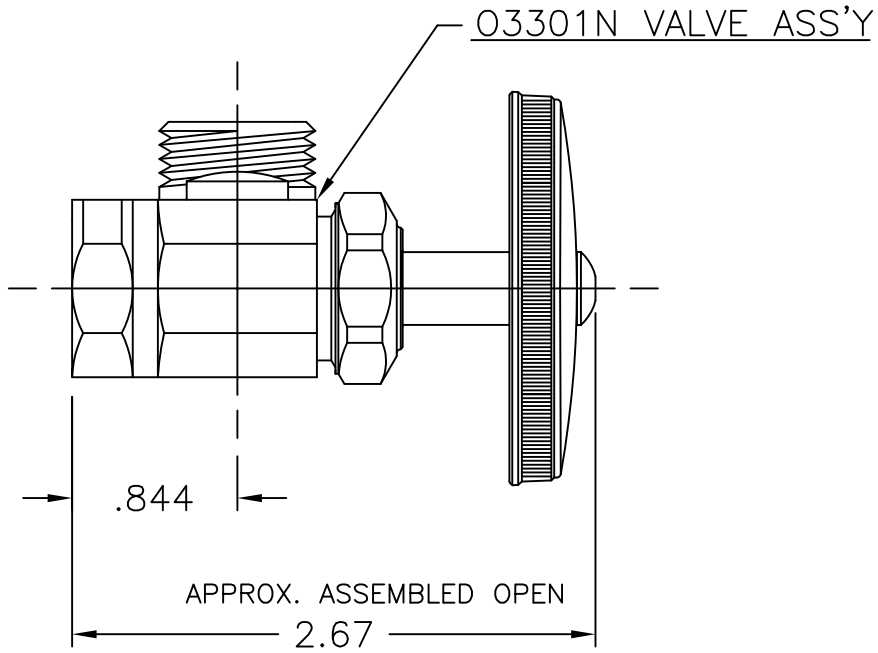




LET.	DATE	PER	BY	CHANGE
A	06/12/09	JPS	JPS	RELEASE



 A Masco Company NOVI, MICHIGAN ALL GDT PER ANSI STD Y14.5M CLASSIFICATION OF QUALITY LEVELS	DESCRIPTION		DRAWING NO.			
	1/2 FIP X 7/16 & 1/2 SLIP JOINT VALVE (SUBMITTAL)		VPA1144A			
	DRAWN	DATE:	MATERIAL	ITEM DESCRIPTION		
	SCHUTTE	06/12/09		03301N		
CHK'D.	DATE:	VOLUME	ITEM ID			
Tisch	06/15/2009		03301N C			
CLASS	SYMBOL	APP'D.	DATE:	UNITS	SCALE: (UNLESS NOTED)	REV.
KPC (KEY PRODUCT CHARACTERISTICS)	◇			INCH	FULL	A
STPC (STANDARD PRODUCT CHARACTERISTICS)	△					
PRODUCT MARKINGS	○					
		NOTE: UNLESS OTHERWISE SPECIFIED				
		TWO PLACE DECIMALS				
		THREE PLACE DECIMALS				
		ANGULARITY				

This drawing and all data contained herein is the confidential and exclusive property of BrassCraft Manufacturing, and shall not be disclosed to others without the written consent of BrassCraft. This drawing must be returned to BrassCraft if requested.