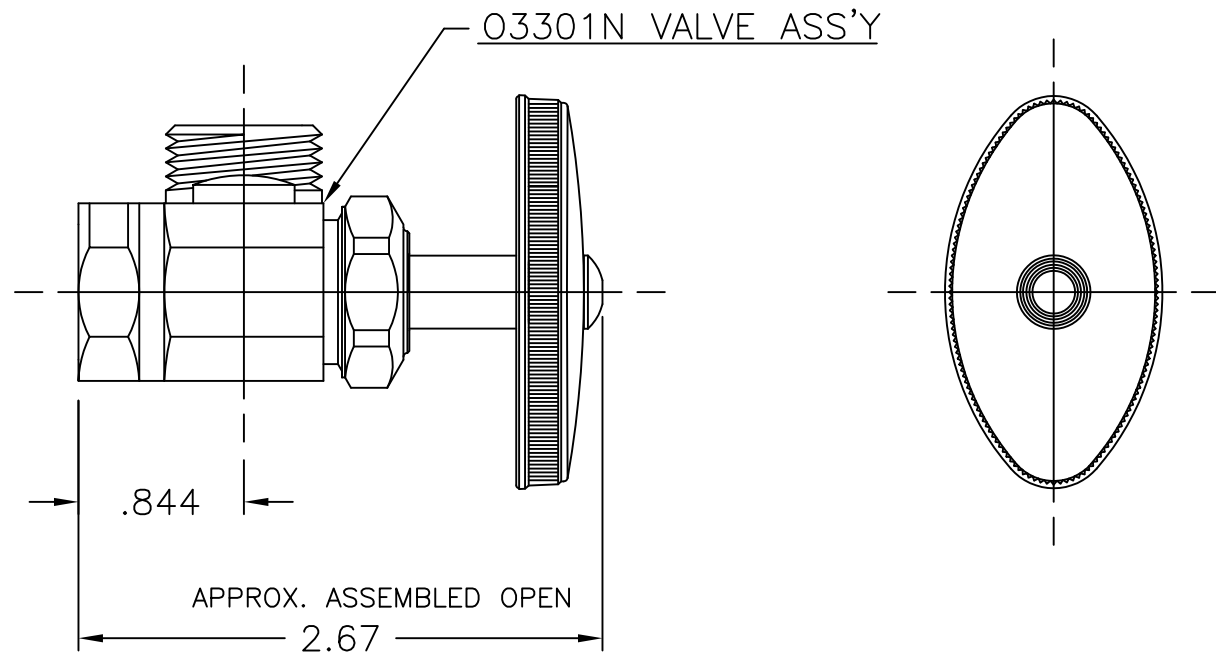


LET.	DATE	PER	BY	CHANGE
A	06/15/09	JPS	JPS	RELEASE



ALL GDT PER ANSI STD Y14.5M CLASSIFICATION OF QUALITY LEVELS	
CLASS	SYMBOL
KPC (KEY PRODUCT CHARACTERISTICS)	◇
STPC (STANDARD PRODUCT CHARACTERISTICS)	△
PRODUCT MARKINGS	○

DESCRIPTION  
1/2 FIP X 7/16 & 1/2 SLIP JOINT STOP  
W/ PRIVATE BRAND HANDLE (SUBMITTAL)

DRAWN	DATE:
SCHUTTE	06/15/09
CHK'D.	DATE:
Tisch	06/15/2009
APP'D.	DATE:

MATERIAL
VOLUME

DRAWING NO.  
VPA1145A

ITEM DESCRIPTION  
03301N

ITEM ID  
03301N C100T

This drawing and all data contained herein is the confidential and exclusive property of BrassCraft Manufacturing, and shall not be disclosed to others without the written consent of BrassCraft. This drawing must be returned to BrassCraft if requested.

NOTE: UNLESS OTHERWISE SPECIFIED  
TWO PLACE DECIMALS +/- .010  
THREE PLACE DECIMALS +/- .005  
ANGULARITY +/- 1°



UNITS  
INCH

SCALE:  
(UNLESS NOTED)  
FULL

REV.  
A