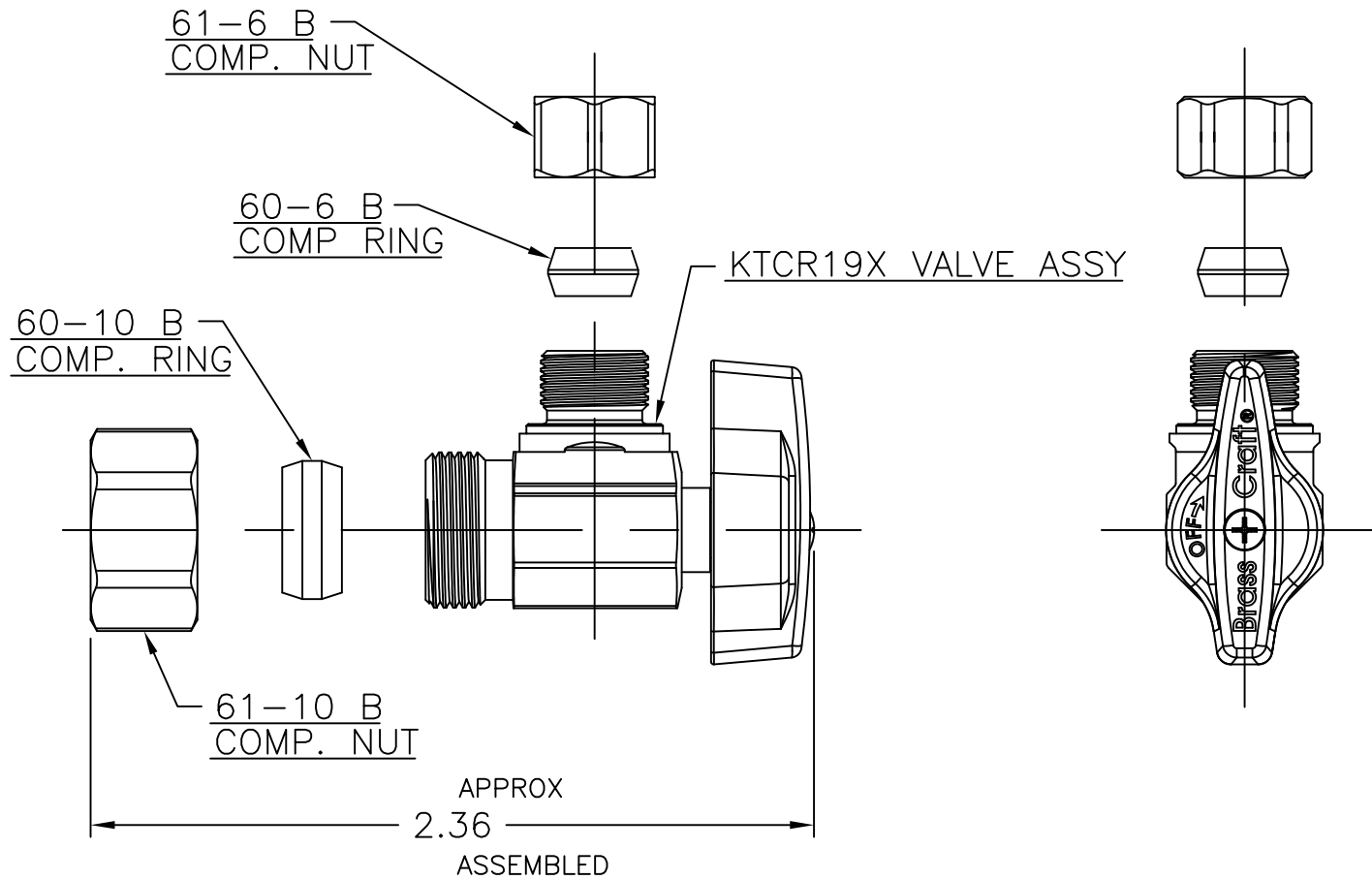


LET.	DATE	PER	BY	CHANGE
------	------	-----	----	--------

A 09/15/09 JPS DCT RELEASE



ALL GDT PER ANSI STD Y14.5M CLASSIFICATION OF QUALITY LEVELS	
CLASS	SYMBOL
KPC (KEY PRODUCT CHARACTERISTICS)	◇
STPC (STANDARD PRODUCT CHARACTERISTICS)	△
PRODUCT MARKINGS	○

DESCRIPTION 1/2 NOM COMP x 3/8 OD COMP 1/4 TURN BALL VALVE (SUBMITTAL)		DRAWING NO. VPA1152A		
DRAWN TISCH	DATE: 09/15/2009	MATERIAL	ITEM DESCRIPTION KTCCR19X	
CHK'D. Schutte	DATE: 09/15/2009			
APP'D.	DATE:	VOLUME	ITEM ID KTCCR19X C	
NOTE: UNLESS OTHERWISE SPECIFIED		UNITS INCH	SCALE: (UNLESS NOTED) FULL	
TWO PLACE DECIMALS				REV. A
THREE PLACE DECIMALS				
ANGULARITY				

This drawing and all data contained herein is the confidential and exclusive property of BrassCraft Manufacturing, and shall not be disclosed to others without the written consent of BrassCraft. This drawing must be returned to BrassCraft if requested.

